

Patents, Designs, and Trade Marks

SUPPLEMENT

TO THE

NEW ZEALAND GAZETTE

OF

THURSDAY, DECEMBER 2, 1909.

Published by Authority.

WELLINGTON, THURSDAY, DECEMBER 2, 1909.

CONTENTS.

	Page
Complete Specifications and Drawings open to Inspection	3105
International and Intercolonial Arrangements for the Mutual Protection of Patents and Trade Marks ..	3106
Patent Publications in New Zealand	3106
Books and Documents open to Inspection at Patent Office, Wellington	3106
Books, Documents, &c., open to Inspection at Local Patent Offices, Auckland, Christchurch, and Dunedin	3107
Official Publications	3107
Local Patent Offices	3107
Patent Agent registered	3107
Applications for Letters Patent filed	3107
Complete Specifications filed after Provisionals ..	3108
Complete Specifications accepted	3109
Provisional Specifications accepted	3114
Letters Patent sealed	3114
Letters Patent on which Fees have been paid ..	3114
Subsequent Proprietors of Letters Patent registered	3114
Requests for Amendment of Applications for Letters Patent allowed	3115
Request for Correction of Clerical Error in Application for Letters Patent allowed	3115
Application for Letters Patent opposed	3115
Applications for Letters Patent abandoned ..	3115
Applications for Letters Patent void	3115
Applications for Letters Patent lapsed	3115
Letters Patent void	3115
Design registered	3115
Design expired	3115
Applications for Trade Marks filed	3115
Applications for Registration of Trade Marks ..	3116
Application for Trade Mark opposed	3122
Applications for Trade Marks abandoned or refused	3123
Request for Amendment of Trade Mark Application	3123
Trade Marks registered	3123
Subsequent Proprietors of Trade Marks registered ..	3123
Trade Mark Renewal Fees paid	3123
Trade Marks removed from the Register	3123

Complete Specifications and Drawings open to Inspection at Auckland, Dunedin, and Christchurch.

COPIES of the complete specifications and drawings advertised in the *Gazette* will be sent for public inspection to the

LOCAL PATENT OFFICES IN THE SUPREME COURT BUILDINGS

in the following towns on or about the dates mentioned:—

Auckland.

Gazette No. 101, of the 2nd December. 8th December to 22nd December, inclusive.

Dunedin.

Gazette No. 101, of the 2nd December. 5th January to 19th January, inclusive.

Gazette No. 96, of the 18th November. 14th December to 28th December, inclusive.

Gazette No. 93, of the 4th November. 1st December to 15th December, inclusive.

Christchurch.

Gazette No. 101, of the 2nd December. 24th January to 7th February, inclusive.

Gazette No. 96, of the 18th November. 4th January to 18th January, inclusive.

Gazette No. 93, of the 4th November. 20th December to 3rd January, inclusive.

Gazette No. 88, of the 21st October. 6th December to 20th December, inclusive.

[NOTE.—The office can take no responsibility if from any cause the specifications are not so available.]

International and Intercolonial Arrangements for the Mutual Protection of Patents and Trade Marks.

INTERNATIONAL CONVENTION.

THE following countries now belong to the Convention:—

Australia.	Italy.
Austria-Hungary.	Japan.
Belgium.	Mexico.
Brazil.	New Zealand.
Ceylon.	Norway.
Cuba.	Portugal, with the Azores and Madeira.
Denmark and Faroe Islands.	Servia.
Dominican Republic.	Spain.
France, with Algeria and Colonies.	Sweden.
Germany.	Switzerland.
Great Britain.	Tunis.
Holland, with East Indian Colonies, Curaçoa, and Surinam.*	United States of America.

* Trade marks only.

Separate arrangements have been made between Australia and New Zealand.

Particulars of the Convention and of such arrangements may be seen in the following *Gazettes*:—

Notification of adhesion of New Zealand to the Convention, with text thereof (in English), in the *Gazette* of 26th November, 1891; notification of adherence of New Zealand to the Additional Act of the Convention, with text (in English), of such Additional Act, in Patents Supplement to *Gazette* No. 101, of the 18th November, 1905; Order in Council applying section 103 of the Imperial Act to New Zealand, in *Gazette* No. 27, of the 15th May, 1890; Orders in Council containing arrangements between Australia and New Zealand, in Patent Supplements to the *Gazette* Nos. 22 of the 9th March, 1905, and 38 of the 20th April, 1905.

Patent Publications in New Zealand.

THE following publications relating to Patents for inventions, &c., are open to inspection in the Dominion:—

WELLINGTON.—PATENT OFFICE LIBRARY.

United Kingdom.

The full text of the specifications and complete drawings of inventions patented from the year 1617 up to the 19th August, 1909.

Classified illustrated abridgments of inventions from 1855 to 1906 and part of 1907.

Illustrated Official Journal, containing lists of recent applications, abridgments of inventions for which patents have been lately granted, patents void, &c., to October, 1909.

Index of Applicants.

Subject-matter Index.

Commissioner of Patents Journal, &c.^(a).

Trade Marks Journal to July, 1909.

Canada.

Patent Office Record (containing illustrated abridgments of inventions, &c.) to June, 1909.

Australia.

The full text of the specifications and complete drawings in respect of applications accepted from the 11th January, 1906, to the 28th September, 1909, inclusive.

The Official Journal of Patents of the Australian Commonwealth (containing lists of applications for letters patent, abridgments of complete specifications accepted, &c.).

The Australian Official Journal of Trade Marks (containing lists of applications for registration of trade marks, &c.).

Specifications, drawings, abridgments, and indexes of Victoria, New South Wales, Queensland, and South Australia^(b).

United States.

The full text of the specifications and drawings for the years 1905, 1906, and part of 1907.

The Official Gazette of the United States Patent Office (containing illustrated abridgments of specifications, &c.) to September, 1909.

Mexico.

The Official Gazette of the Patent and Trade Mark Office.

^(a) Discontinued.

^(b) In arrears. Not now being printed.

General.

La Propriété Industrielle (the official organ of the International Bureau of the Union for the Protection of Industrial Property).

Patent laws of the world.

Patent and Trade Mark Review.

Text-books and handbooks on patents and trade marks.

AUCKLAND.—PUBLIC LIBRARY.

United Kingdom.

Classified abridgments of inventions from 1855 to 1904.

Illustrated Official Journal from 1897 to date.

Canada.

Patent Office Record (containing illustrated abridgments of inventions, &c.) from 1897 to date.

Australia.

The Official Journal of Patents from 1905 to date.

United States.

The Official Gazette of the United States Patent Office (containing illustrated abridgments of specifications, &c.) from 1885 to 1887 and 1890 to 1895.

CHRISTCHURCH.—PUBLIC LIBRARY.

United Kingdom.

Classified abridgments of inventions from 1855 to 1904.

Illustrated Official Journal from October, 1905, to date.

Canada.

Patent Office Record (containing illustrated abridgments of inventions, &c.) from 1897 to date.

Australia.

The Official Journal of Patents from 1905 to date.

DUNEDIN.—PUBLIC LIBRARY.

United Kingdom.

Classified abridgments of inventions from 1855 to 1904.

Illustrated Official Journal from October, 1905, to date.

Australia.

The Official Journal of Patents from 1905 to date.

Books and Documents open to Inspection at Patent Office, Wellington.

THE following documents and books are open to public inspection at the Patent Office:—

PATENTS.

(Fee for each search or inspection, not exceeding one hour, 1s.)

1. The files relating to all applications for letters patent in respect of which complete specifications have been accepted.
2. Classified copies of specifications and drawings, with index and key^(a).
3. Register of Applications for Letters Patent.
4. Register of Patents.
5. Register of Subsequent Proprietors of Letters Patent^(b).
6. Index of Patentees^(c).
7. Index of Proprietors of Letters Patent granted prior to 1890^(d).
8. Index of Specifications^(e).

DESIGNS.

(Search fee, 1s. each quarter of an hour.)

1. Register of Designs, with Index of Names of Proprietors.
2. Classified Representations of Designs in respect of which Copyright has expired.
3. Index of Designs.

^(a) Key is in card index.

^(b) This Register contains only names of subsequent proprietors of letters patent granted prior to 1st January, 1890; since that date they appear in Register of Patents.

^(c) Includes all names of applicants, &c., and consists of four volumes to 4th November, 1903, and card index since that date. A separate card index is kept for current quarter.

^(d) The names of proprietors of subsequent letters patent appear in the Index of Patentees.

^(e) Contains classified abridgments of specifications from 1861, with extracts from drawings from July, 1904.

TRADE MARKS.

(Search fee, 1s. each quarter of an hour.)

1. The files relating to all applications for registration of trade marks.
2. Register of Applications for Registration of Trade Marks.
3. Register of Trade Marks.
4. Index of Applicants for Registration of Trade Marks^(a).
5. Index of Trade Marks.
6. Classified Representations of Trade Marks, with indexes.

MISCELLANEOUS.

Register of Patent Agents.

FORMS AND PUBLICATIONS.

The following forms, &c., may be had on application at the Patent Office, Wellington, or at any of the local Patent Offices named below:—

- Application for letters patent.
- Provisional specification.
- Complete specification and copy thereof.
- Application for registration of design.
- Application for registration of trade mark.
- Applications for extension of time.
- Requests by subsequent proprietor to enter name on Register of Patents and Trade Marks.
- Printed sheets of information as to fees and procedure to obtain letters patent and to register a trade mark^(b).
- Pamphlet containing Act and Regulations (price 1s.).

^(a) Names of applicants for registration and proprietors of trade marks are indexed at the beginning of the Registers up to 31st December, 1889; in separate volume up to 5th September, 1904; and since the latter date in card index.

^(b) May also be obtained at any local Patent Office or money-order office.

Books, Documents, &c., open to Inspection at Local Patent Offices, Auckland, Christchurch, and Dunedin.

BOOKS, documents, &c., open to inspection, and forms, &c., procurable, at the local Patent Offices at Auckland, Christchurch, and Dunedin.

BOOKS, ETC., OPEN TO INSPECTION.

Complete specifications and drawings of inventions. (Note.—One set of the specifications and drawings is sent, on acceptance, to Auckland, Christchurch, and Dunedin in succession, remaining fourteen days at each place, as advertised in the *Gazette*. Search fee, 1s. per hour.)

Classified abridgments of inventions from 1st January, 1908, to 31st March, 1909. (Search fee, 1s.)

Weekly lists of applications for patents up to and including those filed on Friday may be seen on the following Monday. (Search fee, 1s.)

Name Index—Patents, 1861–1889. (Search fee, 1s.)

Annual Reports, containing alphabetical lists of applicants and subject-matter indexes since 1890.

Patents Supplement to the *New Zealand Gazette*.

Patents, Designs, and Trade Marks Act and Rules.

Acts and Rules of other countries.

Australian Official Journal of Patents.

FORMS, ETC., OBTAINABLE.

The following forms, &c., may be obtained on application:—

- Applications for letters patent.
- Provisional specification.
- Complete specification, and copy thereof.
- Application for registration of design.
- Application for registration of trade mark.
- Applications for extension of time.
- Requests by subsequent proprietor to enter name on Register of Patents and Trade Marks.
- Printed sheets of information as to fees and procedure to obtain letters patent and to register designs and trade marks.
- Act and Regulations. (Price, 1s. 6d.)

NOTE.—The classified abridgments of the specifications and drawings of the United Kingdom may be seen in the Public Library of each of the above three principal towns. Other publications will be placed on file as soon as they are available.

Official Publications.

THE following publications may be obtained from the Government Printer, Wellington:—

Printed specifications to the end of the year 1879. (Some of these are now out of print.)

Annual lists of letters patent and letters of registration applied for, and particulars of applications lapsed, and patents lapsed, from 1880 to 1893 inclusive. (The lists for the last four of these years are contained in the *Annual Reports of the Registrar*.)

Annual reports of the Registrar, containing alphabetical indexes of applicants for letters patent and of subject-matter of inventions patented from 1894 to 1908 inclusive.

The Patents Supplement to *Gazette* (containing notifications, applications for letters patent, abridged descriptions and drawings of inventions, &c.), published fortnightly.

Name Index of Patents, &c., 1861–1890. (Price, 1s.)

Name Index of Trade Mark Applicants, &c., 1868–1906. (Price, 5s.)

Local Patent Offices.

LOCAL Patent Offices for the reception of applications, supply of forms, &c., have been established at the following places:—

- Auckland—Supreme Court. (G. S. Clark, agent.)
- Whangarei—Courthouse. (W. J. Reeve, agent.)
- Thames—Courthouse. (J. Jordan, agent.)
- Waihi—Courthouse. (J. McIndoe, agent.)
- Hamilton—Courthouse. (H. J. Dixon, agent.)
- Gisborne—Courthouse. (G. J. A. Johnstone, agent.)
- New Plymouth—Courthouse. (J. Terry, agent.)
- Napier—Courthouse. (A. Trimble, agent.)
- Wanganui—Courthouse. (C. A. Barton, agent.)
- Taihape—Courthouse. (W. Baker, agent.)
- Palmerston North—Courthouse. (C. J. Hewlett, agent.)
- Masterton—Courthouse. (M. Foley, agent.)
- Nelson—Courthouse. (E. C. Kelling, agent.)
- Blenheim—Courthouse. (F. W. Hart, agent.)
- Westport—Courthouse. (O. E. Bowling, agent.)
- Greymouth—Courthouse. (B. Harper, agent.)
- Hokitika—Courthouse. (J. N. Nalder, agent.)
- Christchurch—Supreme Court. (W. W. Samson, agent.)
- Ashburton—Courthouse. (J. Fitzgerald, agent.)
- Timaru—Courthouse. (T. W. Tayler, agent.)
- Oamaru—Courthouse. (A. A. Mair, agent.)
- Dunedin—Supreme Court. (T. E. Roberts, agent.)
- Clyde—Courthouse. (F. T. D. Jeffery, agent.)
- Gore—Courthouse. (G. H. Lang, agent.)
- Queenstown—Courthouse. (A. J. Thompson, agent.)
- Invercargill—Courthouse. (J. R. Colyer, agent.)

Patent Agent registered.

Patent Office,
Wellington, 1st December, 1909.

IT is hereby notified that

ALBERT ROTORUA GRAHAM,
of 129 Cashel Street, Christchurch, New Zealand, Solicitor,
has been registered as a Patent Agent.

Applications for Letters Patent filed.

LIST of applications for Letters Patent filed. (Where a complete specification accompanies an application an asterisk is affixed; in all other cases a provisional specification has been lodged. In all cases where the applicant is not the inventor the name of the latter appears in italics after the title. † Denotes an application under the International and Intercolonial Arrangements.)

- No. 26896.—12th November.—A. E. Jackson and A. T. Thompson, New Plymouth, N.Z.
Rifle.
- No. 26897.—10th November.—C. Allen, El Paso, U.S.A.
Slime separator and classifier.*
- No. 26898.—10th November.—The Van Kannel Revolving Door Company, Limited, London, Eng.
Revolving-door.* (*T. Van Kannel*.)
- No. 26899.—11th November.—S. R. Trevor, Auckland, N.Z.
Rubber-solvent manufacture.
- No. 26900.—11th November.—P. Brown, Riverton, N.Z.
Aeroplane.
- No. 26901.—11th November.—J. Burton, Owaka, N.Z.
Preparation for treating the hair.

- No. 26902.—13th November.—A. M. Lord, Rahotu, N.Z., and F. A. Barnard, Eltham, N.Z.
Antiseptic cow-salve.
- No. 26903.—13th November.—W. E. Holden, Takaka, N.Z.
Advertising-apparatus.
- No. 26904.—13th November.—Ridd Milking Machine Company, Limited, New Plymouth, N.Z.
Milking-machine teat-cup. (A. Ridd.)
- No. 26905.—13th November.—C. Clegg, Sockburn, N.Z.
Lifting-jack.*
- No. 26906.—10th November.—L. Blackman, Hamilton, N.Z.
Engine governor.
- No. 26907.—10th November.—E. D. Rout, Invercargill, N.Z.
Automatic valve or tap for milk-cooler.
- No. 26908.—11th November.—R. Taberner, Auckland, N.Z.
Reducing and recutting valve-seats.
- No. 26909.—12th November.—J. D. Hunter, Dunedin, N.Z.
Pasteurizing-apparatus.*
- No. 26910.—12th November.—S. Bartlett, Dunedin, N.Z.
Envelope.
- No. 26911.—13th November.—G. Ryan, Glenrowan, Vic.
Wire-strainer.
- No. 26912.—15th November.—E. A. Earnshaw, Wellington, N.Z.
Float-message for missing ships.
- No. 26913.—15th November.—T. E. O'Brien, Dacre, N.Z.
Turnip-thinner.
- No. 26914.—15th November.—J. P. Carmine, Westport, N.Z.
Tea-infuser.
- No. 26915.—16th November.—A. H. Hale, Palmerston North, N.Z.
Pasteurizing apparatus.
- No. 26916.—16th November.—C. T. Scoringe, Wellington, N.Z.
Road-sweeper, &c.
- No. 26917.—16th November.—G. Wilson, Palmerston North, N.Z.
Sink-trap.*
- No. 26918.—23rd December, 1908.†—W. Wright, Coventry, Eng.
Road-vehicle wheel.*
- No. 26919.—13th November.—E. D. Berry, Palmerston North, N.Z.
Valve for pasteurizer, &c.
- No. 26920.—16th November.—H. Addis, Ashburton, N.Z.
Spouting-bracket.
- No. 26921.—17th November.—T. Edwards, Ballarat, Vic.
Agitator and disintegrator for cyanide process.*
- No. 26922.—17th November.—J. H. Wixon, Gora, N.Z.
Combined saw, square, and rule.
- No. 26923.—17th November.—F. A. W. Ansell, Auckland, N.Z.
Milking-bucket.*
- No. 26924.—18th November.—T. E. Clark, Hobsonville, N.Z.
Building-block.
- No. 26925.—18th November.—J. Ross, Wellington, N.Z.
Flash-signal-lamp shutter.*
- No. 26926.—18th November.—J. Milburn, Havelock North, N.Z.
Pump.*
- No. 26927.—18th November.—J. Milburn, Havelock North, N.Z.
Spraying-nozzle.*
- No. 26928.—19th November.—H. Worthington, Wellington, N.Z.
Rat-trap for use on hawsers of ships.
- No. 26929.—19th November.—D. Baldwin, Invercargill, N.Z.
Sterilising and preserving milk.
- No. 26930.—19th November.—A. Gardner, Wellington, N.Z.
Railway, &c., points.
- No. 26931.—20th November.—F. E. Higgins, Auckland, N.Z.
Race-starter.
- No. 26932.—17th November.—The Massey-Harris Company, Limited, Toronto, Canada.
Centrifugal separator.* (C. McLeod.)
- No. 26933.—17th November.—The Massey-Harris Company, Limited, Toronto, Canada.
Centrifugal separator-bowl.* (C. McLeod.)
- No. 26934.—17th November.—A. G. Tomkies, Westport, N.Z.
School-desk.
- No. 26935.—19th November.—H. Schlaadt, Dunedin, N.Z.
Sheep-dipping-bath attachment.*
- No. 26936.—19th November.—J. C. Trainor, Roslyn, N.Z.
Discharge-elevator for ships.*
- No. 26937.—22nd November.—J. P. Rive, Waimate, N.Z.
Fire-screen.
- No. 26938.—22nd November.—A. I. Senior, Motueka, N.Z.
Two-cycle internal combustion engine.
- No. 26939.—19th November.—H. F. Chaffey, Christchurch, N.Z.
Guard-rail for tramcar, &c.
- No. 26940.—19th November.—A. Davidson, Christchurch, N.Z.
Soap-dish attachment to bucket, &c.*
- No. 26941.—19th November.—R. Taberner, Auckland, N.Z.
Strainer and petrol-gauge.
- No. 26942.—23rd November.—E. Lobley and A. Lawrence, Swan Hill, Vic.
Milk-delivery can.
- No. 26943.—23rd November.—T. T. Sabroe, Copenhagen, Denmark.
Milking-machine pulsator.*
- No. 26944.—23rd November.—Tarafirma Limited, London, Eng.
Apparatus for drying, heating, and mixing tar-macadam.* (R. Ames.)
- No. 26945.—12th January,†—C. Dutton and McKenzie and Holland, Limited, London, Eng.
Railway signalling and interlocking device.*
- No. 26946.—23rd November.—J. H. Hyland, Auckland, N.Z.
Water heater and circulator.
- No. 26947.—20th November.—W. H. J. Ridley.
Battery or process for obtaining gold.
- No. 26948.—24th November.—W. G. T. Goodman, Adelaide, S. Aus., and W. Keon, Hackney, S. Aus.
Trolley-wheels for electric trams.*
- No. 26949.—24th November.—R. A. Dexter, Auckland, N.Z.
Motor-car wheel.
- No. 26950.—24th November.—M. J. Taylor, Hackney, S. Aus.
Skirt- and pattern-drafting implement.
- No. 26951.—24th November.—J. L. Smith, Melbourne, Vic.
Chaff-cutter feed.
- No. 26952.—24th November.—C. E. Honeyfield, Tataraimaka, N.Z.
Milking machine teat-cup.
- No. 26953.—23rd November.—H. Mander, Westport, N.Z.
Inner tube for cycles.
- No. 26954.—23rd November.—C. N. Hodder and N. Olegg, Christchurch, N.Z.
Advertising and displaying device.
- No. 26955.—23rd November.—E. M. Baker, Auckland, N.Z.
Rat-poison.
- No. 26956.—23rd November.—H. W. Tristram and F. W. Horkerday, Madras, India.
Sling for lifting horses, &c.
- No. 26957.—25th November.—C. E. Honeyfield, Tataraimaka, N.Z.
Milking-machine.
- No. 26958.—18th December, 1908.†—C. Rollin and The Hedworth Barium Company, Limited, Newcastle-on-Tyne, Eng.
Manufacture of barium-compounds.*
- No. 26959.—25th November.—P. M. Compton, Landsdowne, N.Z.
Opening and closing doors for cow-bails, &c.
- No. 26960.—22nd November.—F. Ellis, Waitahuna, N.Z.
Hydraulic-nozzle operator.
- No. 26961.—24th November.—A. E. Stephenson, Auckland, N.Z.
Cattle-medicine.*
- No. 26962.—24th November.—C. J. Restall, Christchurch, N.Z.
Step-ladder.
- No. 26963.—24th November.—A. Calichiopulo, Turin, Italy.
Sighting-device.*
- No. 26964.—25th November.—C. A. Kidd, Christchurch, N.Z.
Water-closet basin.

Complete Specifications filed after Provisionals.

LIST of complete specifications filed after provisional specifications, from the 13th to the 26th November, 1909, inclusive:—

No. 25584.—C. R. Macdonald, marine-engine governor.
No. 25585.—C. R. Macdonald, thrust-bearing.
No. 25598.—D. McLean, level.
No. 25608.—D. F. B. Brown, tramcar-brake.
No. 25700.—R. Bennet, fishing-line reel.
No. 25708.—A. Tyree and Co., football-boot. (W. Main and J. V. Tyree.)
No. 26176.—C. F. Siegert, black-sand, &c., treatment.
No. 26280.—C. Suttie and M. H. Wynyard, flax-catcher.
No. 26434.—L. G. Abrams, broom or brush. (H. M. Marsh.)

Notice of Acceptance of Complete Specifications.

Patent Office,
Wellington, 1st December, 1909.

COMPLETE specifications relating to the undermentioned applications for Letters Patent have been accepted, and are open to public inspection at this office. Any person may, at any time within two months from the date of this *Gazette*, give me notice in writing of opposition to the grant of any such patent. Such notice must set forth the particular grounds of objection, and be in duplicate. A fee of 10s. is payable thereon.

The copies of claims and extracts from the specifications and drawings are merely intended to give some further indication of the invention than is disclosed in the title, and the complete specifications and drawings should be referred to for a description of the invention.

No. 25298.—2nd December, 1908.—THOMAS FRANCIS LONG, of Makaraka, Gisborne, New Zealand, Settler. An improved composition for the destruction of Californian thistle and other noxious weeds.*

Extract from Specification.—My invention relates to an improved composition for the destruction of Californian thistle and other noxious weeds, and consists of the use of saltpetre, water, salt, and borax, with preferably the addition of Condy's crystals for colouring.

[NOTE.—The above extract from the specification is inserted in place of the claims.]

(Specification, 1s. 6d.)

No. 25519.—4th February, 1909.—HERBERT GEORGE FREEMAN, Agent, 12 O'Connell Street, and GEORGE RICHARD WARREN, Plumber, Military Road, Mosman, both in Sydney, New South Wales. An instrument to give motion to a playing-bowl and to direct its course for the purpose of testing the bias on a lawn or other surface.*

Claims.—An apparatus to give motion to a playing-bowl and direct its course, comprising, in combination, two parallel bars or rails coupled together or mounted on a base and set spirit-level true, curved and shaped at one end and mounted on a revolving plate and screw-bolt at the other end, and fixed to an adjustable stand at an inclined plane, to which is affixed a spring trigger and two adjustable pointers, and intermediate supports, substantially as described and as explained, and illustrated in the drawing.

(Specification, 3s. 6d.)

No. 25552.—11th February, 1909.—WILLIAM SCOTT, of Christchurch, New Zealand, Engineer. Improvements in flooring-cramps.*

Extract from Specification.—Making the cramp in two parts, the lower part consisting of the base and the clamp for the joist, while the upper part consists of a removable bracket carrying the operating lever or screw, the plunger or ram pawls, and other parts. These two portions may be connected together by a hinge or by means of recesses and lugs. The top part may be made to fit into the base.

[NOTE.—The above extract from the specification is inserted in place of the claims.]

(Specification, 2s. 3d.)

No. 25576.—17th February, 1909.—THE KONOMAX ROCK-DRILL SYNDICATE, LIMITED, a company incorporated under the limited-liability laws of the Transvaal, and having its office at Consolidated Building, Johannesburg, Transvaal (assignee of Wilhelm Mauss, of the Victoria Falls Power Company, Limited, Johannesburg aforesaid, Engineer). Improvements in valveless engines.*

Extract from Specification.—In an engine constructed according to the present invention the fluid admitted during the current stroke for effecting the succeeding stroke in the ordinary manner is caused to assist the current stroke kinetically, or at least is prevented from acting adversely to it for a period after admission, such period in the case of a percussive machine extending until the blow is struck. Further, a novel

exhaust arrangement is provided, as described, whereby the cushioning due to the usual late or terminal exhaust is decreased without the waste of fluid and power incident to the early complete exhaust sometimes employed.

[NOTE.—The above extract from the specification is inserted in place of the claims.]

(Specification, 9s. 6d.)

No. 25608.—26th February, 1909.—DONALD FARQUHARSON BENTON BROWN, of Auckland, New Zealand, Fitter. Improvements in or relating to tramway-car brakes.*

Extract from Specification.—The brake-block holder is formed on its undersurface with an undercut dovetailed flange at each of its ends, and extending laterally across the width thereof. The corresponding upper edges of the brake-block are shaped to fit into these flanges when the block is passed laterally beneath the holder.

[NOTE.—The above extract from the specification is inserted in place of the claims.]

(Specification, 3s. 3d.)

No. 25687.—15th March, 1909.—BRUCE EDWARD TENNENT, residing on the property of the Witwatersrand Deep, Limited, of Knights, Transvaal, Metallurgist. An improved material for precipitating gold from solutions, also applicable for removing vegetable colouring-matter from solutions of sugar or other soluble substances, and method of manufacturing the same.*

Claims.—(1.) The improved material for precipitating gold from solutions, or for removing vegetable colouring-matter from solutions of sugar or other soluble substances, which consists of amorphous carbon highly charged with hydrogen-carbonyl produced substantially as described. (2.) The process of manufacturing the material for use as a precipitant for gold from solutions, or for removing vegetable colouring-matter from solutions of sugar or other soluble substances, which consists in treating carbon with steam at a suitable temperature to cause a portion of the nascent hydrogen thereby produced to combine with the carbon and oxygen present to form hydrogen-carbonyl, which is absorbed by the remaining carbon, substantially as described. (3.) The specific methods of manufacturing the material for use as a precipitant for gold from solutions, or for removing vegetable colouring-matter from solutions of sugar or other soluble substances, substantially as described.

(Specification, 5s.)

No. 25708.—18th March, 1909.—ALFRED TYREE AND CO., LIMITED, of Christchurch, New Zealand, Boot-manufacturers (assignees of William Main and John Victor Tyree, both of Christchurch aforesaid). An improved football boot.*

Extracts from Specification.—The combined toe-cap and tongue-extension is formed of sole leather, rawhide, rubber, or other similar material. From its top end on each side thereof a strip is made to extend laterally. These two strips are passed down against the respective sides of the boot and are fastened in any convenient manner. . . . The surface of the tongue may, if desired, be ridged or corrugated.

[NOTE.—The above extracts from the specification are inserted in place of the claims.]

(Specification, 2s. 6d.)

No. 26095.—18th June, 1909.—THOMAS PERCY SMITH, of Devon Street, New Plymouth, Taranaki, New Zealand, Borough Turncock, and CHARLES JAMES MACLEAN, of Molesworth Street, New Plymouth aforesaid, Plumber. An improved silent cistern as applied to water-closets.*

Extract from Specification.—The cistern is formed of an airtight casing into which the water is led by means of a supply-pipe, so that as the cistern fills with the pressure of water the air imprisoned within the cistern will be compressed above it until the pressure of the air equals the pressure of the water-supply, when the inflow of water will stop. In the bottom of the cistern an opening is made, and from this opening the delivery-pipe leads downwards. This pipe is controlled by a valve which when opened allows the water to flow from the cistern, the cushion of compressed air above the water expelling it with the speed and force necessary to obtain a good flushing-action.

[NOTE.—The above extract from the specification is inserted in place of the claims.]

(Specification, 4s. 6d.)

No. 26121.—23rd June, 1909.—UNITED SHOE MACHINERY COMPANY, of Paterson, in the State of New Jersey, United States of America, a corporation duly organized under the laws of said State of New Jersey, carrying on business as Shoe-machinery Manufacturers, and having a place of business at 205 Lincoln Street, Boston, Massachusetts, United States of America (assignees of John Newton Busell, of Boston, Suffolk, Massachusetts aforesaid, Inventor). Improvements in or relating to machines for use in the manufacture of boots and shoes.

Extracts from Specification.—The polygonal flange used in turning the nut upon the shaft, instead of being placed at one end of the nut as in the present construction, is placed between the ends of the nut, and preferably nearer one end than the other, for a purpose set forth. . . . The cylindrical portions of the nut just described are turned to the same diameter as the hub of the outer rib-carrying plate, and the upper or counter guard is confined upon said hub yieldingly in contact with the outer surface of said rib-carrying plate by a spring which bears at one end against the polygonal flange upon said nut, and at its other end is received in an annular socket in the hub of the said guard. . . . An outer rib-carrying plate which is turned off back of the cutting edges of the cutters, so that the circumferential surfaces of said plate behind the cutting edges of the cutters are substantially concentric with the cutter-holding ribs.

[NOTE.—The above extracts from the specification are inserted in place of the claims.]

(Specification, 11s. 6d.)

No. 26318.—29th July, 1909.—JOHN EDWARDS, Engineer, and WILLIAM GEORGE BOWDEN, Battery-manager, both care of 437 Collins Street, Melbourne, Victoria, Australia. Improvements in and connected with pumps for boiler-feeding and other purposes.*

Claims.—(1.) In pumps of the kind indicated, conveying the exhaust steam from the engine through a multiple-way cock to the suction-pipe of the pump placed immediately behind and in direct communication with its suction-valves, for the purposes explained. (2.) In pumps of the kind indicated, leading the exhaust steam from the engine through a multiple-way cock into a condensing-chamber interposed in the suction-pipe of the pump, as set forth. (3.) In pumps of the direct-acting type, leading the exhaust from the steam-cylinders through a multiple-way cock to a pipe constituting a condensing-chamber arranged longitudinally in the engine and in connection with the suction-pipe and open to the suction-valves of the pump, as specified, and for the purposes set forth.

(Specification, 3s. 6d.)

No. 26352.—4th August, 1909.—AUGUST LYELL, of 215 Lambton Quay, Wellington, New Zealand, Inventor. An improved apple paring, coring, and slicing machine.*

Extract from Specification.—A bracket provided with an opening has knives fixed across the opening and converging upon a tubular cutter. A disc of wood pushes the apple through the opening in the bracket, the knives of which cut out the core and slice the apple into parts parallel with the core. The swivelling-knife is depressed, and a lever is operated to return the disc to its original position.

[NOTE.—The above extract from the specification is inserted in place of the claims.]

(Specification, 5s. 6d.)

No. 26456.—20th August, 1909.—ANNIE BRENTNALL SHEATH, of Napier, New Zealand, Musician. Improved method of and apparatus for teaching music.*

Extract from Specification.—A series of wires arranged horizontally one above the other to represent the lines in a staff of music. Upon these wires are suspended a number of discs cut out to represent notes.

[NOTE.—The above extract from the specification is inserted in place of the claims.]

(Specification, 6s.)

No. 26472.—25th August, 1909.—FRANCIS JOHN SCOTT CAVERHILL, of 143 Hereford Street, Christchurch, New Zealand, Shearing-machine Expert. Improvements in driving-gear of sheep-shearing machines.*

Claims.—(1.) For the purpose specified, overhead gear comprising in combination a bracket, an arm working in a slide formed in said bracket and normally projected by a spring, and a head at the end of the arm carrying a clutch and a pulley driven by a driving-pulley on said bracket, substantially as specified and illustrated. (2.) In apparatus for the purpose indicated, the employment of a bracket and slidable extension for the purpose of producing tension upon the belt connecting the driving-pulley with the pulley actuating the flexible shaft, substantially as specified and illustrated. (3.) For the purpose indicated, the employment of the clutch mechanism, substantially as specified and illustrated. (4.) For the purpose indicated, the employment of the spiral spring forming an outer casing, and two spiral springs within said casing, the one within the other, substantially as specified and illustrated. (5.) The overhead gear consisting of the parts constructed, arranged, combined, and operating substantially as specified, and illustrated in the drawing.

(Specification, 4s.)

No. 26488.—24th August, 1909.—WALTER SMYTHE BAYSTON, of 441 Collins Street, Melbourne, Victoria, Australia, Patent Attorney (nominee of William Burgess, of "Trenwith," Camborne, Cornwall, England, Gentleman. A composition or compound for neutralising the noxious fumes produced by blasting.*

Claim.—A composition or compound for neutralising the noxious fumes produced by blasting, composed of nitrate of potassium (or other suitable substance of a like nature that readily yields oxygen) and chloride of lime, cupric oxide and flour or carbon.

(Specification, 2s. 6d.)

No. 26738.—14th October, 1909.—UNITED SHOE MACHINERY COMPANY, of Paterson, in the State of New Jersey, United States of America, a corporation duly organized under the laws of said State of New Jersey, carrying on business as Shoe-machinery Manufacturers, and having a place of business at 205 Lincoln Street, Boston, in the Commonwealth of Massachusetts, in said United States of America (assignees of Benjamin Franklin Mayo, of Salem, in the County of Essex and said Commonwealth of Massachusetts, Inventor). Improvements in or relating to shoe-turning machines.

Extracts from Specification.—The provision, in a machine for turning the rear or counter portion of a shoe, of a form over which the shoe is turned, having a portion of its wall movable with relation to the other portions during the turning operation so as to vary the size of the opening in the form through which the plunger operates. . . . The combination of an expansible plunger with a form having a portion of its wall movable with relation to the other portion to reduce the size of the opening in the form. . . . An expansible plunger which forces the heel portion of a shoe into a form to turn the shoe.

[NOTE.—The above extracts from the specification are inserted in place of the claims.]

(Specification, 8s.)

No. 26796.—26th October, 1909.—AGNES KATE COX, of 24 Clifton Road, Maida Vale, London, England, Gentlewoman (assignee of George Lester Whitcombe, of P.O. Box 5098, Johannesburg, Transvaal, South Africa, but now temporarily residing at 11 Clarendon Gardens, Maida Vale, London, England, Engineer and Prospector). Improvements in and connected with concentrators or apparatus for separating or grading metals, ores, and other substances in wet-recovery processes.

Extract from Specification.—The liquid containing the material to be treated is led under pressure to a turbine or blade wheel, which in some cases the liquid mixture may operate, the said wheel assisting to mechanically discharge the lighter and valueless or less valuable portion of the mixture from the vessel, and the bottom of the vessel being

formed or provided with a series of graduated slots, over which the concentrates of the mixture are swept by the action of the turbine or blade wheel, and thereby sorted into different grades, the material of each grade being collected in appropriate chambers.

[NOTE.—The above extract from the specification is inserted in place of the claims.]

(Specification, 10s. 6d.)

No. 26828.—2nd November, 1909.—EDWARD BRICE KILLEN, of 52 Queen Victoria Street, London, England, Engineer. Improvements in wheels with detachable rims or tires.

Extract from Specification.—I build my easily detachable wheel proper A from two round suitable stamped-steel dishes, which I will call front and back steel dishes A1 and A2, and which, when properly made, fitted, and locked together, with wood or other suitable light material between them, form my strong, light, rigid, and truly circular wheel proper A. The steel dish A1, which forms the front of my wheel proper A, is stamped dish-shape with the required obtuse angle at its truly circular, outwardly-slanting, bevelled circumference (see Figs. 1, 2, 3, 4, 5, and 6), and into this stamped truly circular front steel dish A1 is suitably fitted wood or other suitable light material, filling up suitably the space inside front dish A1, after which my back steel stamped dish A2, which is also formed truly circular, having the extreme outer circumference not bevelled but at right angles to the dish itself—like, say, the round metal lid of a box—is made and constructed to be fitted tightly over the extreme diameter of the outwardly bevelled circumference of the front dish A1, which forms the front of my wheel proper A.

[NOTE.—The above extract from the specification is inserted in place of the claims.]

(Specification, 9s. 6d.)

No. 26829.—2nd November, 1909.—JOHN SLORACH, of the Geldenhuis Estate and Gold-mining Company (Limited), Cleveland, Johannesburg, Transvaal. Improvements in valve devices for reciprocating engines.

Claims.—(1.) In an engine of the class specified, the combination of the valve 12 having flat end faces 13 and 14, and the detachable valve-seating comprising a perforated end member 15 carrying a threaded spindle 18, upon which the valve is loosely mounted and upon which the second perforated end member 16 is screwed, said valve-seating being adapted to be held in the walls of the valve-chest by a plug bearing upon the loose disc, substantially as described. (2.) In an engine of the class specified, a longitudinally guided distributing-valve having substantially flat end faces and corresponding apertured valve-seats [with which such valve-faces make contact alternately. (3.) In an engine of the class specified, a valve and valve-seat so constructed that the travel of the valve may be altered. (4.) In an engine of the class specified, and having a valve movable parallel with the piston, an induction-port from the front of the cylinder leading to the rear of the valve, and an induction-port from the rear of the cylinder leading to the front of the valve.

(Specification, 5s. 6d.)

No. 26835.—2nd November, 1909.—ALEXANDER JOHN ARBUCKLE, of 1 Main Street, Belgravia, near Johannesburg, Transvaal, Mechanical Engineer. Improvements in tanks or vessels for separating comminuted solid matter, such as pulverised ore, from liquids.

Extracts from Specification.—The parts providing the depositing or settling areas or surfaces are arranged at such an angle or inclination that the solid particles which accumulate thereupon ultimately gravitate or fall off said areas or surfaces to the bottom or lower portion of the vessel, whence they are removed, either continuously or intermittently, by any suitable means. . . . For the purpose of my invention the vessel may be in the form of an inverted truncated hollow cone or pyramid, or be of circular, square, or any suitable polygonal horizontal section in its upper portion, and of inverted conical or pyramidal shape in its lower portion.

[NOTE.—The above extracts from the specification are inserted in place of the claims.]

(Specification, 14s.)

No. 26836.—2nd November, 1909.—ALEXANDER JOHN ARBUCKLE, of 1 Main Street, Belgravia, near Johannesburg, Transvaal, Mechanical Engineer, and ALFRED OSBORNE, of 1 Main Street, Belgravia, aforesaid, Mine-manager. Improvements in means for separating pulverised ore or other comminuted solid matter from liquid.

Extracts from Specification.—In the vessel, and preferably above the point or points at which the pulp or mixture is introduced, we arrange a suitable number of super-positioned plates or flat surfaces to provide a large area upon which the particles of ore or other solid matter can settle. . . . In each plate or surface, or between contiguous plates or surfaces of each tier, one or more slots, holes, or passages are provided; the slots, holes, or passages in all the tiers preferably coincide, so that an unobstructed passage for the settled solids is provided from the top to the bottom of the vessel. The slots, holes, or passages in the several tiers preferably gradually increase in width in each succeeding tier from the top to the bottom of the vessel. Each slot, hole, or passage also preferably gradually increases in width from the centre to the side of the vessel. Means are provided for scraping or removing the settled solids off the plates or surfaces, and delivering the same over the slots, holes, or passages, through which they fall to the bottom of the vessel.

[NOTE.—The above extracts from the specification are inserted in place of the claims.]

(Specification, 12s. 6d.)

No. 26840.—18th December, 1908.—WILHELM FREDERICK FLOESSELL, of 113 Phillip Street, Sydney, New South Wales, Australia, Civil Engineer. Improved portable wardrobe.

[NOTE.—This is an application under the International and Inter-colonial Arrangements, the date given being the official date of the application in Australia.]

Extract from Specification.—According to my invention I provide a frame of suitable size, and support same from the wall or door of a room. The frame comprises a board carrying at each end a suitable bracket which supports a rod or bar parallel to the board, also a second rod for the rings of a sliding curtain of flexible material, such as cretonne.

[NOTE.—The above extract from the specification is inserted in place of the claims.]

(Specification, 3s.)

No. 26841.—4th November, 1908.—WILLIAM HOY, of 53 Nickson Street, Surry Hills, Sydney, New South Wales, Australia, Labourer, and JOHN DOWNES, of 73 Cleveland Street, Redfern, Sydney aforesaid, Fireman, and ROBERT WILLIAM GRIERSON, of 58 Pitt Street, Redfern aforesaid, Town Clerk. Improvements in smoke-consuming and fuel-economizing apparatus.

[NOTE.—This is an application under the International and Inter-colonial Arrangements, the date given being the official date of the application in Australia.]

Extract from Specification.—According to our invention we provide a baffle-plate which is arched or approximately semi-circular in cross-section, said plate extending from the door almost to the rear of the fire-box in the case of furnaces for vertical boilers, but not so far in the case of furnaces for horizontal boilers. In addition to the said baffle we preferably secure below same a perforated plate of the same cross-section, maintaining a space between the two plates by means of distance-pieces, but said perforated plate does not extend to the length of the upper one.

[NOTE.—The above extract from the specification is inserted in place of the claims.]

(Specification, 3s. 6d.)

No. 26842.—3rd November, 1909.—THOMAS WALKER MACINTOSH, of Rosebery Street, Penshurst, near Sydney, New South Wales, Australia, Mechanical Engineer. Improved structure of walls, floors, ceilings, roofs, and the like, and improved skeleton for the same.

Extract from Specification.—Comprises a skeleton of crossed wires, which are tightened or tensioned by being twisted together at the crossings, a lathing, say, of expanded metal or improved sheet-metal lathing.

[NOTE.—The above extract from the specification is inserted in place of the claims.]

(Specification, 3s. 6d.)

No. 26843.—3rd November, 1909.—THOMAS GABE, of Bramble Beach, Warren Drive, New Brighton, Chester, England, Engineer. Improvements in machines for reducing vulcanised rubber to powder.

Claims.—(1.) In an apparatus for reducing vulcanised rubber to powder in which a rotary cylinder having a rasp- or grater-like grinding surface is used, the employment of a spiked roller adjacent to the cylinder, and a number of spring or weight-influenced presser-feet above and in line with the said roller are provided, the said presser-feet being adapted to grip and feed pieces of rubber simultaneously against the said grinding-surface, and each pressure-foot together with the spiked roller forming an independent automatic feed, all substantially as and for the purpose set forth.

[NOTE.—Here follow three other claims.]

(Specification, 4s. 6d.)

No. 26847.—2nd November, 1909.—DAVID ANDERSON, of 18-20 Farringdon Street, London E.C., England, Engineer. Improvements in and relating to controlling-devices for lighting systems.

Claims.—(1.) An improved controller for lighting systems by which the members of a system or groups of the same are individually and automatically controlled, and in which the controlling-device is arranged automatically to adapt itself to the daily variations of the normal period of daylight, with or without means whereby illuminant is supplied to the members of the system when desired during the period over which the controller is inoperative, and means whereby this auxiliary supply is interrupted when the controller becomes operative, substantially as described.

[NOTE.—Here follow eleven other claims.]

(Specification, £1.)

No. 26850.—7th November, 1908.—HEDLEY BUTTON, of Trevallyn, Tasmania, Australia, Importer. Improvements relating to the construction of roofs or walls with malthoid, rubberoid, and suchlike coverings.

[NOTE.—This is an application under the International and Inter-colonial Arrangements, the date given being the official date of the application in Australia.]

Extract from Specification.—The malthoid or other covering-material is first cut into pieces of the requisite size and shape, and is then attached by malthoid-cement, or by any other suitable means, to battens or plywood. The plywood backing has a smaller area than the malthoid covering, and this permits the covering-material to overlap the batten, in most cases, on two of its edges.

[NOTE.—The above extract from the specification is inserted in place of the claims.]

(Specification, 3s. 6d.)

No. 26853.—2nd November, 1909.—HENRY CHARLES GOLDMAN, of 127 Glenfarg Road, Catford, Kent, England, Engineer, and CHRISTOPHER FREDERICK WEBB, of 107 Gilmore Road, Lewisham, Kent, England, Engineer. Improvements in and relating to mechanical players for musical instruments.

Extract from Specification.—According to the present invention the apparatus is so constructed that a note is sounded by means of a piston-device adapted to operate the piano-action. This may be accomplished by causing a blow to be given by a lever which acts directly on the piano-action, thereby operating the hammer of the said action, the lever being actuated by a piston which works in a cylinder. The note may, however, be sounded directly by the piston-rod or in any other suitable manner, the piston being caused to move each time a hole in the music-roll opens a corresponding hole in the tracker-board by means of atmospheric suction from a reservoir from which air is drawn by cylinder pumps operated by foot or other power.

[NOTE.—The above extract from the specification is inserted in place of the claims.]

(Specification, 6s. 6d.)

No. 26866.—5th November, 1909.—ROBERT ADAMS, of 3 and 5 Emerald Street, Theobalds Road, London, England, Engineer. Improvements in door closers and checks.

Claims.—(1.) In a door closer and check, the combination of a door-pivot, an arm on said pivot, a coupler connecting said arm to a check, an action-plate, a spring, and means connecting said action-plate to said coupler, as set forth.

[NOTE.—Here follow seven other claims.]

(Specification, 10s.)

No. 26876.—10th November, 1909.—UNITED SHOE MACHINERY COMPANY, of Paterson, in the State of New Jersey, United States of America, a corporation duly organized under the laws of said State of New Jersey, carrying on business as Shoe-machinery Manufacturers, and having a place of business at 205 Lincoln Street, Boston, Massachusetts, United States of America (assignees of Emery Bayard, deceased, in his lifetime of Rochester, New York, United States of America, Foreman). Improvements in or relating to rough-rounding and channeling machines.

Extract from Specification.—The object of the present invention is to reorganize and improve machines of the above class by providing such machines with a grooving-knife which operates at the time the channel is cut to cut a groove in the bottom of the channel for the line of stitches which unites the outsole to the welt of a welted shoe.

[NOTE.—The above extract from the specification is inserted in place of the claims.]

(Specification, 7s. 6d.)

No. 26877.—10th November, 1909.—LOUREY-POPE MANUFACTURING COMPANY, of San Francisco, California, United States of America, Manufacturers of Tools and Machinery (assignees of Thomas Edward Pope, President of said company). Expansible bits.

Claims.—(1.) An expansible bit comprising a stem, a cutter transversely movable in said stem, and a tube around the stem, said cutter being formed with teeth, and an end of the tube being formed with a spiral rib engaging said teeth, substantially as described.

[NOTE.—Here follow ten other claims.]

(Specification, 10s.)

No. 26878.—10th November, 1909.—PAUL THEODORE MOKKENTIN, of 215 Nicholson Street, Carlton, Victoria, Australia, Mechanic. Improvements in fastening-devices for doors, windows, and the like.

Extract from Specification.—A perforated metal bar or combination of perforated bars is pivoted on the door-frame, window-sash, or so forth, so that one of the perforations may engage a pin or projection, or one of several such, attached to the door or window, and secure the same in the desired position.

[NOTE.—The above extract from the specification is inserted in place of the claims.]

(Specification, 5s. 6d.)

No. 26879.—10th November, 1909.—OTTO PETERMANN, of 45 Broadway, New York, United States of America, Skilled Mechanic. Improvements in typewriting-machines.

Claims.—(1.) In a typewriter, the combination with a carriage foldable into substantially overhanging relation to the keys or the type-bars, of an escapement mounted under the carriage, a ribbon mechanism located in advance at the front of the carriage and including ribbon-spools, a propelling mechanism including a drum located under one of the spools, an alarm located under the other spool, all of which are foldable with the carriage, key-levers, and means operated by the key-levers to actuate the escapement and ribbon mechanism, whereby a large appearing machine is provided when in use, but which can be compactly folded when not in use. (2.) In a typewriter, the combination with a carriage foldable in the direction of and over the keys or the type-bars, of an escapement mounted under the carriage, a ribbon mechanism located in advance at the front of the carriage and including ribbon-spools, a propelling mechanism including a drum located under one of the spools, all of which

are foldable with the carriage, key-levers, and means operated by the key-levers to actuate the escapement and ribbon mechanism. (3.) In a typewriter, a movable carriage supporting the platen, and a rotary feed mechanism for imparting a step-by-step movement to said carriage.

[NOTE.—Here follow sixty other claims.]

(Specification, £2 10s.)

No. 26882.—11th November, 1909.—MALCOLM FAULKNER EWEN and GEORGE HERBERT TOMLINSON, of Chicago, Illinois, United States of America, Gentleman. Process of producing fermentable sugar from ligno-cellulose.

Claims.—(1.) The process of producing fermentable sugar from ligno-cellulose, such as sawdust, which consists in mixing the ligno-cellulose with not to exceed three times and preferably less than one-half its weight of water and hydrolyzing acid, such as sulphuric and hydrochloric acid, in a closed vessel, heating, mixing, and cooling the same, then treating the moist product for the recovery of the sugar, substantially as shown and in the manner described.

[NOTE.—Here follow three other claims.]

(Specification, 4s.)

No. 26887.—11th November, 1909.—CHARLES DESMARAIS, of Hull, Quebec, Canada, Mining Engineer, and MICHAEL JOHN O'BRIEN, of Montreal, Canada, Contractor. Core-extractor for drill-holes.

Extract from Specification.—Broadly speaking, the device comprises a shaft or rod, a sleeve mounted to have limited rotary movement about the shaft, gripping-jaws pivoted to the sleeve, a collar revolvably mounted on the shaft, links connected to the gripping-jaws and having sliding connections with the collar, means for forcing the jaws to open position and hold them so, and means for forcing the jaws to closed or operative position.

[NOTE.—The above extract from the specification is inserted in place of the claims.]

(Specification, 6s. 6d.)

No. 26890.—11th November, 1909.—FREDERICK KING, of Waiute, Westland, New Zealand, Miner. Improved toaster for bread and the like.

Extract from Specification.—A wire frame in two sections, between which the bread is clipped, is pivoted upon a handle, which may be reversed in relation to the frame as occasion requires.

[NOTE.—The above extract from the specification is inserted in place of the claims.]

(Specification, 2s.)

No. 26897.—10th November, 1909.—CHARLES ALLEN, of El Paso, Texas, United States of America, Mining Engineer. Slime separator and classifier.

Claims.—(1.) A separator for liquids and solids, comprising a liquid-containing tank, a receptacle in floating suspension in the tank, said floating receptacle having a discharge-outlet for the solids exterior to the tank, and means coating with the discharge to prevent spurting. (2.) A separator for liquids and solids, comprising a liquid-containing tank, a receptacle in floating suspension in the tank, said floating receptacle having a discharge-outlet for the solids exterior to the tank, and means coating with the discharge to prevent spurting, said last-named means including a conical member seating in the discharge. (3.) In a separator for liquids and solids, the combination of a rising and falling receptacle having a discharge-outlet at its bottom, means for suspending the receptacle to permit it to rise and fall, said outlet having a restricted passage between its outlet end and the receptacle to prevent spurting, and a valve closing the discharge when the receptacle rises.

[NOTE.—Here follow thirty-five other claims.]

(Specification, £1 5s.)

No. 26909.—12th November, 1909.—JAMES DEWAR HUNTER (of J. Anderson and Co.), Moray Place, Dunedin, New Zealand, Engineer and Dairy-plant Manufacturer. Improvements in or relating to apparatus for pasteurising milk or cream in large quantities.

Extract from Specification.—I fill the jacket between the cylinders with hot water, introducing steam into the said water at the bottom of the jacket by perforations in a ring,

so that an even temperature is obtained all round same. Also, I furnish the stirring-blades usually employed with additional stirrers, furnishing some with adjustable brushes.

[NOTE.—The above extract from the specification is inserted in place of the claims.]

(Specification, 3s.)

No. 26917.—16th November, 1909.—GEORGE WILSON, of Palmerston North, New Zealand, Medical Doctor. An improved sink-trap.

Claims.—(1.) A sink-trap having a fixed strainer and a removable strainer located within it, substantially as specified and illustrated. (2.) In a device for the purpose indicated, in combination, a fixed outer strainer, a removable inner strainer, a plug for closing the top of the inner strainer, and a stem for facilitating its removal, substantially as specified, and illustrated in the drawing.

(Specification, 1s. 9d.)

No. 26925.—18th November, 1909.—JOHN ROSS, of 25 Epuni Street, Wellington, New Zealand, Marine Engineer. Improved shutter for flash signal-lamp.

Claims.—(1.) The shutter for flash signal-lamp consists essentially of a casing containing sector-shaped blades, each hung on a pivot on one end, the other end free to move through an arc of a circle. (2.) Actuating mechanism consists of other pins, approximately radial to pivot-pins, and carried in a semi-rotary or floating ring concentric to opening in lamp-front, substantially as described. (3.) The general arrangement, construction, and combination of parts in my improved flash signal-lamp shutters, substantially as described and explained, as illustrated in drawings, and for purposes set forth.

(Specification, 2s.)

No. 26926.—18th November, 1909.—JOSEPH MILBURN, of Havelock North, New Zealand, Timber Merchant. An improved pump.

Extract from Specification.—According hereto, a flexible bulb or bag containing fluid is alternately expanded and collapsed by a piston working within an independent cylinder. The bulb is located within a chamber furnished with valves through which the fluid to be pumped is drawn and discharged.

[NOTE.—The above extract from the specification is inserted in place of the claims.]

(Specification, 2s.)

No. 26927.—18th November, 1909.—JOSEPH MILBURN, of Havelock North, New Zealand, Timber Merchant. An improved spraying-nozzle.

Extract from Specification.—According hereto spray is produced by forcing the material through the mouth of a tube in such manner that it impinges against the edge of an opening in a disc.

[NOTE.—The above extract from the specification is inserted in place of the claims.]

(Specification, 2s. 6d.)

Copies of drawings may be obtained at the uniform price of 1s. each. In exceptional cases this price may be increased at the discretion of the Office.

An asterisk (*) denotes the complete specification of an invention for which a provisional specification has been already lodged.

NOTE.—The cost of copying the specification has been inserted after the notice of each application. An order for a copy or copies should be accompanied by a post-office order or postal note for the cost of copying.

The date of acceptance of each application is given after the number.

Extracts from the drawings accompanying the foregoing complete specifications appear at the end of this Gazette.

J. C. LEWIS,
Registrar.

Provisional Specifications accepted.

Patent Office,
Wellington, 1st December, 1909.

A PPLICATIONS for Letters Patent, with provisional specifications, have been accepted as under:—

- No. 26598.—United Shoe Machinery Company, machine for inserting fastenings. (G. Goddn.)
 No. 26599.—United Shoe Machinery Company, boot and shoe machine. (R. F. McFeely.)
 No. 26600.—United Shoe Machinery Company, tack-pulling machine. (L. V. Miller.)
 No. 26601.—United Shoe Machinery Company, heel-nailing machine. (H. Hall.)
 No. 26602.—United Shoe Machinery Company, heel-blackening machine. (F. M. Furber.)
 No. 26607.—A. W. Halliday, traction-engine gear.
 No. 26612.—E. Le Roy, hammock and swing-cot.
 No. 26614.—P. Kahlenberg, coalholder.
 No. 26615.—B. F. Cranwell, sprayer-tank.
 No. 26619.—J. P. Maloney, box-wiring and stapling machine.
 No. 26622.—J. Martin, construction usable for coppers, &c.
 No. 26623.—United Shoe Machinery Company, method of making shoes. (K. Engel.)
 No. 26626.—R. A. Walker and N. C. Christie, railway staff or tablet system.
 No. 26627.—D. Amey, reversible plough, cultivator, &c.
 No. 26629.—C. Craig, apparatus for sharpening tailors' chalk.
 No. 26634.—C. E. Rae, camp-stove.
 No. 26636.—C. H. Whatman, tramcar guard-rail.
 No. 26641.—Yack Son, ironing-machine.
 No. 26642.—P. S. O'Neill and A. H. Wilson, aeroplane.
 No. 26643.—J. J. Blockley, water-closet flushing-apparatus.
 No. 26646.—J. S. Tayler, gold-separator.
 No. 26654.—J. S. Dawes, rotary valve for combustion-engine.
 No. 26657.—J. Kelly, time-indicator for rising in the morning.
 No. 26659.—C. F. Lungley, illuminating-device.
 No. 26660.—C. E. Gane, milking-machine.
 No. 26661.—J. Draper, construction of building walls.
 No. 26662.—W. G. Rae, lamp-attachment.
 No. 26665.—H. Stocks, wheel-lock.
 No. 26668.—O. J. H. Thomson, wet-scutter.
 No. 26669.—C. J. H. Thomson, dry-scutter.
 No. 26670.—P. C. Watt, window lock and fastener.
 No. 26671.—A. E. Johns, airship.
 No. 26672.—F. A. Rich, eye-piece for optical instrument.
 No. 26779.—T. Ganley, feed-water heater for boiler.
 No. 26845.—A. S. Ballinger, metal window-sash.
 No. 26849.—G. Olney, attachment to nozzle-fitted hoses.
 No. 26862.—F. T. B. Wyatt, pneumatic-tire protector.
 No. 26854.—G. W. Connolly, illuminated show-card.
 No. 26873.—J. H. Gill, flying-machine.
 No. 26874.—United Shoe Machinery Company, sewing-machine. (A. E. Jerram, M. H. Pearson, and J. W. Goddard.)
 No. 26875.—United Shoe Machinery Company, shoe-shaping machine. (O. Ashton.)
 No. 26880.—J. McSweeney and L. Miller, flax-catcher.
 No. 26883.—United Shoe Machinery Company, boot-machine for working an upper over a last. (E. Brothers.)
 No. 26884.—Alcock and Co. Proprietary, Limited, electric process for drying timber. (A. U. Alcock.)
 No. 26885.—E. Adams, military spade.
 No. 26888.—Charcoal Limited, charcoal-kiln. (O. Wright.)
 No. 26891.—L. N. Dyhrberg, fireplace-curb.
 No. 26892.—D. Connell, steam-turbine.
 No. 26894.—S. Hardley, milk cooler and aerator.
 No. 26896.—A. E. Jackson and A. T. Thompson, rifle.
 No. 26899.—S. R. Trevor, rubber-solvent.
 No. 26900.—P. Brown, aeroplane.
 No. 26901.—J. Burton, hair-preparation.
 No. 26904.—Ridd Milking Machine Company, Limited, teat-cup. (A. Ridd.)
 No. 26906.—L. Blackman, engine speed-governor.
 No. 26907.—E. D. Rout, valve or tap for milk-cooler.
 No. 26910.—S. Bartlett, envelope.
 No. 26911.—G. Ryan, wire-strainer.
 No. 26912.—E. A. Earnshaw, float or buoy for indicating position of foundered ships.
 No. 26913.—T. E. O'Brien, turnip-thinner.
 No. 26915.—A. H. Hale, pasteurization of skim-milk.
 No. 26916.—C. T. Scoringe, road-sweepings remover, &c.
 No. 26919.—E. D. Berry, liquid-deliverer.
 No. 26930.—A. Gardner, rail- and tramway-track points.
 No. 26931.—F. E. Higgins, horse-race starter.
 No. 26934.—A. G. Tomkies, school-desk.
 No. 26938.—A. I. Senior, two-cycle internal-combustion engine.

[Note.—Provisional specifications cannot be inspected, or their contents made known by this office in any way, until the complete specifications in connection therewith have been accepted.]

Letters Patent sealed.

LIST of Letters Patent sealed from the 11th to the 16th November, 1909, inclusive:—

- No. 24224.—C. Suttie and M. H. Wynyard, flax-treatment.
 No. 24747.—C. Uddstrom, mounting circular saws on their spindles.
 No. 24754.—M. Guinan, administering medicated balls to horses.
 No. 24778.—J. Fitchett, tipping lorry or wagon.
 No. 24835.—W. McEachern, lifting-jack.
 No. 24838.—E. L. Barton, aeronautical apparatus.
 No. 24868.—M. Ruddy, smoking-pipe. (M. Jeantet.)
 No. 24981.—C. Grant, tyne and chain harrow.
 No. 25133.—E. W. Coleman, machinery driving-gear.
 No. 25312.—C. V. Boys and J. W. Tierney, producing rapid reciprocating motion.
 No. 25723.—A. J. Day, cinder-sifter.
 No. 25958.—M. Tillie, button-hole-making machine.
 No. 26078.—G. H. Dunlop, excavating machinery.
 No. 26116.—T. Quinlivan, traction-engine, &c.
 No. 26161.—H. F. Chaffey, kettle, &c.
 No. 26165.—P. T. White and G. Robertson, tilting-appliance for kerosene-cans, &c.
 No. 26185.—N. S. McNab, voting, &c., machine.
 No. 26239.—G. A. Sheeley and E. A. Tomlinson, lining-tube, &c., mills.
 No. 26261.—R. L. H. Murray, acetylene-gas generator and holder.
 No. 26409.—E. Hannan, life-boat or raft.

Letters Patent on which Fees have been paid.

[NOTE.—The dates are those of the payments.]

SECOND-TERM FEES.

- No. 20350.—J. R. Park, waterproof fabric and method of manufacture. (L. A. Bond.) 22nd November.
 No. 20400.—E. Wrigley, bar-shears. 23rd November.
 No. 20414.—The Pearson Fire Alarm, Limited, fire-alarm. (A. H. McNeil.) 23rd November.
 No. 20422.—G. J. Henry, jun., hydraulic nozzle. 16th November.
 No. 20548.—T. L. Willson, gas, whistling, and bell buoys. 24th November.
 No. 20779.—S. Taylor, metallic coverings for roofs, buildings, &c. 12th November.
 No. 20838.—Bergedorfer Eisenwerk Aktiengesellschaft, cream-separator milk-supply tube. (C. Bergner.) 23rd November.
 No. 21769.—J. W. Cloud, compressed-air-brake apparatus. 23rd November.

THIRD-TERM FEES.

- No. 15644.—The Wolseley Sheep-shearing Machine Company, Limited, cutting or shearing hairs or wool. (H. Austin.) 19th November.
 No. 15661.—D. R. S. Galbraith and W. Steuart, reduction of ironsand, iron oxides, &c. 18th November.
 No. 15664.—M. K. Bamber, soluble extract of tea. (J. Roger and M. K. Bamber.) 17th November.
 No. 15684.—W. A. Gamman, reversing rotation of shafting. 12th November.
 No. 15786.—The British Westinghouse Electric and Manufacturing Company, electric arc-lamp. (J. P. Campbell—H. Bremer.) 16th November.
 No. 15856.—J. Nathan and Co., Limited, sheet-metal cans or boxes. (F. W. Feaver.) 24th November.
 No. 15909.—A. B. Gill, electrically lighting train. 23rd November.
 No. 16287.—W. W. Goldner and E. N. R. Kahn, dried milk. (Imperial Dry Milk Company, Limited—J. R. Hatmaker.) 24th November, 1909.

Subsequent Proprietors of Letters Patent registered.

[NOTE.—The name of the former proprietor is given in brackets; the date is that of registration.]

No. 16837.—Notification under the seal of the Moore Filter Company entered on register of agreement whereby the said company has granted to the following companies the full, free, and unfettered right to use the invention anywhere in the Dominion of New Zealand. Filter. (The Moore Filter Company—G. Moore.) 16th November, 1909.

- (1.) The Waihi Gold mining Company, Limited.
- (2.) The Waihi Grand Junction Gold Company, Limited.
- (3.) The Komata Reefs Gold-mining Company, Limited.

No. 17161.—Perdriau Rubber Company, Limited, a company registered in the State of New South Wales, having its office at 270 George Street, Sydney, New South Wales, Australia, and carrying on business as Indiarubber Goods Merchant. Riding and driving coat or overcoat. (E. M. Perdriau.) 18th November, 1909.

No. 19922.—Arthur James Billows, at present of 68, Hop Exchange, Southwark Street, London, England, Siphon. (E. Taylor.) 12th November, 1909.

No. 24600.—Wilfrid Stuart Godfrey and Eric John Taylor, both of Christchurch, New Zealand, Estate Agents. Holding a vessel containing liquid. (W. H. D. Newth.) 12th November, 1909.

No. 25399.—Goldsbrough, Mort, and Company, Limited, whose head office is at Bourke Street, Melbourne, Victoria. Temporarily securing loose cap within wool-bale while flaps of bale are being sewn together. (J. Fisher.) 12th November, 1909.

Requests for Amendment of Applications for Letters Patent allowed.

THE requests for amendment of applications Nos. 24271, 24272, 24273 (advertised in Supplement to *New Zealand Gazette*, No. 88, of the 21st October, 1909) have been allowed.

Request for Correction of Clerical Error in Application for Letters Patent allowed.

THE request for correction of clerical error in application No. 26434—L. G. Abrams, corn broom or brush (H. M. Marsh) (advertised in Supplement to *New Zealand Gazette*, No. 88, of the 21st October, 1909)—has been allowed.

Application for Letters Patent opposed.

NOTICE of opposition has been filed in the following case:—

No. 25990.—R. Sorenson, shifting-seat, Bradley gig. Opposed by C. Martin.

Applications for Letters Patent abandoned.

LIST of applications, with which provisional specifications only have been filed, abandoned (i.e., complete specifications not lodged) from the 13th to the 26th November, 1909, inclusive:—

- No. 25444.—W. L. and J. W. Davidson, tobacco-cutter.
- No. 25445.—C. F. Birch, platform-bracket.
- No. 25446.—J. Jonson, fishing-hook.
- No. 25449.—F. W. Bliss, bacon-slicer.
- No. 25450.—W. Wilson, acetylene-generator.
- No. 25458.—H. H. Leathwick and N. Brooke, pie-dish.
- No. 25460.—W. C. Southgate, tip for bottle-brush.
- No. 25461.—H. B. Murray, dredger-tailings stacker.
- No. 25466.—S. H. Donkin, mattress.
- No. 25468.—G. F. Tasker, fire-alarm.
- No. 25469.—M. Belk, propeller.
- No. 25470.—L. G. Grace, tire-puncture preventer.
- No. 25472.—F. O. Skelton, lid for tins.
- No. 25479.—A. H. Jones, locking-bolt.
- No. 25480.—R. Millis, gold-saving process and apparatus.
- No. 25481.—C. Mills, window-lock.
- No. 25483.—G. H. Buckeridge, watch, &c., holder.
- No. 25485.—E. McPartland, dust-pan.
- No. 25487.—J. G. Watt and W. Barnsdale, grader.
- No. 25488.—A. Simonson and O. R. Peterson, gate and door fastener.
- No. 25489.—H. H. Oxley, brooch-pin attachment.
- No. 25490.—A. Hodgkinson, wire-strainer.
- No. 25498.—G. H. Hicks, fastener for awnings, tarpaulins, &c.
- No. 25501.—F. J. Easther, window and blind attachment.

Applications for Letters Patent void.

APPLICATIONS for Letters Patent, with which complete specifications have been lodged, void owing to non-acceptance of such complete specifications, from the 13th to the 26th November, 1909, inclusive:—

- No. 24794.—T. Firth, horse-controller.
- No. 24801.—C. S. Elmsly, J. H. R. Taylor, and P. Bates, fire-kindler.
- No. 24819.—J. L. Hanman, rotary pump.

Applications for Letters Patent lapsed.

APPLICATIONS for Letters Patent lapsed, owing to Letters Patent not being sealed, from the 13th to the 26th November, 1909, inclusive:—

- No. 24394.—A. G. R. Williams, gas-manufacture.
- No. 24408.—W. B. Bodell, steam-vent for washing-boiler.
- No. 24432.—R. H. Knox, harvester reel.
- No. 24438.—I. Button, halter or head-stall.
- No. 24439.—J. S. Rutherford, weed-exterminator.

Letters Patent void.

LIST of Letters Patent void through non-payment of renewal fees, and through expiry of term of fourteen years, from the 13th to the 26th November, 1909, inclusive:—

THROUGH NON-PAYMENT OF SECOND-TERM FEES.

- No. 19880.—C. N. Collison, manufacture of carbon dioxide. (J. C. Stead.)
- No. 19881.—H. Airey, centrifugal separator.
- No. 19882.—G. C. J. Richard, collapsible gate and shutter.
- No. 19891.—T. F. Brown and D. and J. Solomon, studless house.
- No. 19896.—A. E. Bregman, saw set-gauge and stripper.
- No. 19909.—B. Locking, poison-gas generator.
- No. 19911.—J. Hansen, gum-hook.
- No. 19913.—W. E. Clark, dust-excluder for door.
- No. 19916.—J. R. Park, chimney. (C. Weber.)
- No. 19917.—J. Crook, raising sunken ships.
- No. 19925.—A. Taylor, J. M. Langley, and N. A. McDowell, fire-alarm.
- No. 19927.—S. R. Bellingham, feed-box.
- No. 19930.—P. Schou, thrust-bearings for shafts.
- No. 19931.—C. Burton, A. I. Littlejohn, and P. Still, wire-strainer.
- No. 19934.—A. E. and H. G. Bradley, motor-controller.
- No. 19936.—A. E. Lowe, flower-pot.
- No. 21645.—G. Euston and H. S. Williams, step-ladder.

THROUGH NON-PAYMENT OF THIRD-TERM FEES.

- No. 15246.—American Tobacco Company, sealed can. (W. I. Tuttle.)
- No. 15254.—R. D. Kelly, vehicle draw-gear.
- No. 15282.—W. H. James, sheep-shears. (R. F. Wells.)

THROUGH EXPIRY OF TERM.

Nil.

Design registered.

A DESIGN has been registered in the following name on the date mentioned:—

- No. 497.—Joseph James Joyce, of "Pahiatua," Douglas Street, Stanmore, near Sydney, New South Wales, Australia, Bag-manufacturer. Class 12. 17th November, 1909.

Design expired.

THE copyright in the following design has expired:—

- No. 221.—G. Rodier, pendant.

Applications for Trade Marks filed.

LIST of applications for registration of Trade Marks filed from the 13th to the 26th November, 1909, inclusive:—

- No. 8379.—12th November.—International Drink Cure Company, Wellington, N.Z. Class 3.
- No. 8380.—12th November.—P. Cameron, Dunedin, N.Z. Class 42.
- No. 8381.—13th November.—Ellison and Duncan, Limited, Port Ahuriri, N.Z. Class 42.
- No. 8382.—15th November.—The Spirella Company, Meadville, U.S.A. Class 38.
- No. 8383.—16th November.—Thermos Limited, London, Eng. Class 15.
- No. 8384.—16th November.—United Shoe Machinery Company, Paterson, U.S.A. Class 38.
- No. 8385.—16th November.—J. Mackintosh, Limited, Halifax, Eng. Class 42.

No. 8386.—16th November.—W. A. Hargreaves, Adelaide, S. Aus. Class 4.

No. 8387.—17th November.—The British Empire Trading Company, Limited, London, Eng., and Wellington, N.Z. Class 45.

No. 8388.—17th November.—F. Abraham and Co., London, Eng. Class 42.

Nos. 8389 to 8400.—17th November.—A. L. Rey, Barcelona, Spain. Class 43.

Nos. 8401 and 8402.—17th November.—H. Haeger, Sydney, N.S.W. Class 24.

No. 8403.—19th November.—Auckland Cake Company, Auckland, N.Z. Class 42.

No. 8404.—19th November.—Caselberg and Company, Wellington, N.Z. Class 42.

No. 8405.—19th November.—D. Morrison, Gisborne, N.Z. Class 39.

Nos. 8406 and 8407.—20th November.—H. and L. Hayman, London, Eng., and Auckland, N.Z. Classes 50 and 48.

Nos. 8408 and 8409.—22nd November.—Fletcher, Humphreys, and Co., Christchurch, N.Z. Classes 42 and 43.

No. 8410.—23rd November.—J. S. Fry and Sons, Limited, Bristol, Eng. Class 42.

No. 8411.—23rd November.—W. and F. Walker, Limited, Liverpool, Eng. Class 48.

No. 8412.—23rd November.—J. Munro and Son, Limited, Leith, Scotland. Class 43.

No. 8413.—23rd November.—J. Bartram and Son, Melbourne, Vic. Class 7.

No. 8414.—23rd November.—Gros, Million, and Co., London, Eng. Class 25.

No. 8415.—24th November.—R. Rew, Auckland, N.Z. Class 42.

No. 8416.—24th November.—W. H. Cooper, Leeds, Eng. Class 34.

No. of application : 8166.

Date : 4th August, 1909.

TRADE MARK.



NAME.

C. DAVIDSON AND SONS, LIMITED, of No. 23 Upper Thames Street, London E.C., England, Paper-felt Manufacturers.

No. of class : 36.

Description of goods : Flooring-felt.

No. of application : 8203.

Date : 19th August, 1909.

TRADE MARK.



Yield Low Co

NAME.

BOOTH'S DISTILLERY, LIMITED, of 55 Cow Cross Street, London, England, Distillers.

No. of class : 43.

Description of goods : Spirits and alcoholic cordials.

No. of application : 8254.

Date : 16th September, 1909.

TRADE MARK.

UNICORN.



Applications for Registration of Trade Marks.

Patent Office,
Wellington, 1st December, 1909.

APPLICATIONS for registration of the following Trade Marks have been received. Notice of opposition to the registration of any of these applications may be lodged at this office within two months of the date of this *Gazette*. Such notice must be in duplicate, and accompanied by a fee of £1.

No. of application : 7927.

Date : 1st April, 1909.

TRADE MARK.



The essential particular of this trade mark is the distinctive label.

NAME.

B. G. PRATT COMPANY, an incorporated company having its registered office at Nos. 1555-1568, Hudson and Manhattan Railway Terminal Building, New York City, State of New York, United States of America, Manufacturing Chemist.

No. of class : 2.

Description of goods : Chemical substances used for agricultural, horticultural, veterinary, and sanitary purposes.

NAME.

ALFRED HYDE, of Te Awamutu, in the Dominion of New Zealand, Aerated-water Manufacturer.

No. of class: 43.

Description of goods: Ale and stout in bottles.

[NOTE.—This application is regazetted on account of a clerical error in the former notice.]

No. of application: 8363.

Date: 3rd November, 1909.

TRADE MARK.

The words

THE STADIUM.

NAME.

SLAZENGER AND SONS, of Laurence Pountney Hill, Cannon Street, London, England, Manufacturers.

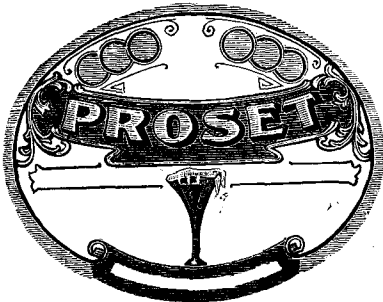
No. of class: 49.

Description of goods: All sporting articles included in this class.

No. of application: 8366.

Date: 4th November, 1909.

TRADE MARK.



NAME.

FRANZ HARTMAN SINALCO AKTIENGESELLSCHAFT, of 1 Bahnhof Strasse, Detmold, Germany.

No. of class: 42.

Description of goods: Non-alcoholic and non-aerated fruit drinks.

No. of application: 8367.

Date: 4th November, 1909.

TRADE MARK.

(The mark as shown in preceding notice, No. 8366.)

NAME.

FRANZ HARTMAN SINALCO AKTIENGESELLSCHAFT, of 1 Bahnhof Strasse, Detmold, Germany.

No. of class: 44.

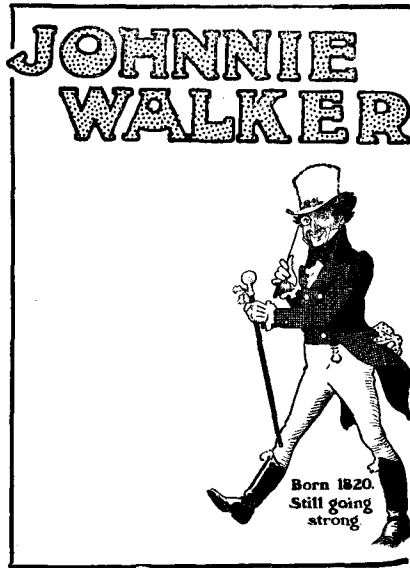
Description of goods: Non-alcoholic aerated fruit drinks.

Q

No. of application: 8375.

Date: 10th November, 1909.

TRADE MARK.



The essential particulars of this trade mark are the device and the words "Johnnie Walker" printed in the distinctive manner shown; and any right to the exclusive use of the added matter is disclaimed.

NAME.

JOHN WALKER AND SONS, LIMITED, of 9 Phillip Street, Sydney, State of New South Wales, in the Commonwealth of Australia.

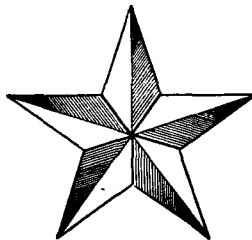
No. of class: 43.

Description of goods: Whisky.

No. of application: 8376.

Date: 11th November, 1909.

TRADE MARK.



STAR

NAME.

FLINT AND WALLING MANUFACTURING COMPANY (an incorporated company), of Kendallville, County of Noble, State of Indiana, United States of America, Manufacturers.

No. of class: 6.

Description of goods: Windmills.

No. of application : 8377.
Date : 11th November, 1909.

The word TRADE MARK.

Graetzin

NAME.
EHRICH AND GRAETZ, of 92-93 Elsen-Strasse, Berlin, Germany, Manufacturers.

No. of class : 13.

Description of goods : Lamps and lanterns of all kinds and parts thereof, whether for oil, spirits, benzine, or other fluids, gas or electricity (arc lamps or glow-lamps), electrodes for arc lamps, holders and regulators for the electrodes, carbon and metal filaments for electric glow-lamps, furnishings for electric lamps, switches, fuses, cut-outs, resistances, plugs, conductors and protecting metal tubes therefor, burners, reflectors, shades, lamp-galleries, supports for incandescent mantles, supports for reflectors, bells, lamp or lantern guards, cocks and valves, sockets, nipples, unions, ball and socket joints, elbows, smoke-bells, counter-weights, pendants, brackets, coronas, candelabra, chandeliers, gas-standards, gas-lighters, and fittings and parts of stoves or apparatus for cooking or heating purposes; all the said goods being wholly or principally of ordinary metal, and included in Class 13.

No. of application : 8378.
Date : 12th November, 1909.

The word TRADE MARK.

ZAMBRENE.

NAME.
B. BIRNBAUM AND SON, of 3B Cannon Street, St. Paul's Churchyard, London E.C., England, Manufacturers.

No. of class : 38.
Description of goods : Articles of clothing.

No. of application : 8379.
Date : 12th November, 1909.

The word TRADE MARK.

DRINKO.

NAME.
INTERNATIONAL DRINK CURE COMPANY, of Wellington, in the Dominion of New Zealand, Manufacturers.

No. of class : 3.
Description of goods : A cure for drunkards : a powder to insert in liquors or foods.

No. of application : 8381.
Date : 13th November, 1909.

The words TRADE MARK.

KOWHAI BRAND.

The essential particular of this trade mark is the word "Kowhai"; and any right to the exclusive use of the added matter is disclaimed.

NAME.
ELLISON AND DUNCAN, LIMITED, of Port Ahuriri, Hawke's Bay, in the Dominion of New Zealand.

No. of class : 42.
Description of goods : Butter.

No. of application : 8382.
Date : 15th November, 1909.

The word TRADE MARK.



NAME.
THE SPIRELLA COMPANY, of 906 Water Street, Meadville, County of Crawford, State of Pennsylvania, United States of America.

No. of class : 38.
Description of goods : Wearing-apparel.

No. of application : 8384.
Date : 16th November, 1909.

TRADE MARK.



NAME.
UNITED SHOE MACHINERY COMPANY, of Paterson, in the State of New Jersey, United States of America, a corporation duly organized under the laws of said State of New Jersey, carrying on business as Shoe-machinery Manufacturers, and having a place of business at 205 Lincoln Street, Boston, in the Commonwealth of Massachusetts, in said United States of America.

No. of class : 38.
Description of goods : Boots and shoes, and other articles made of leather included in Class 38.

No. of application : 8386.
Date : 16th November, 1909.

The word TRADE MARK.

FERRIGNITE.

NAME.
WILLIAM ARTHUR HARGREAVES, of Russell Street, Woodville, near Adelaide, South Australia, Analyst.

No. of class : 4.
Description of goods : Mixtures of metallic oxides and aluminium or metalliferous ores and aluminium, with or without metallic or metalliferous additions.

No. of application : 8387.
Date : 17th November, 1909.

TRADE MARK.

The words

JOHN BULL.

NAME.

THE BRITISH EMPIRE TRADING COMPANY, LIMITED, a company incorporated in England, and having its registered London office at Cecil Chambers, 86 Strand, London, England, and its registered New Zealand office at 43 Victoria Street, Wellington, in the Dominion of New Zealand.

No. of class : 45.

Description of goods : Tobacco, cigars, cigarettes, and snuffs.

No. of application : 8390.
Date : 17th November, 1909.

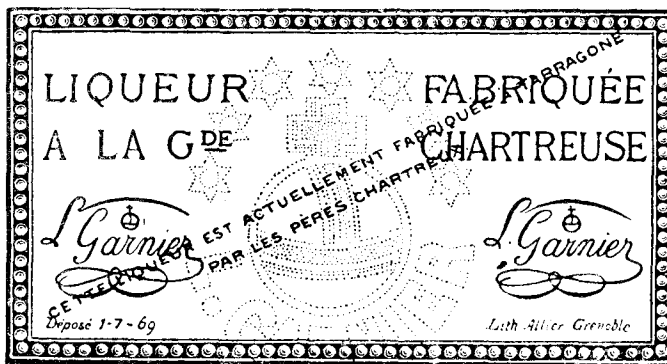
TRADE MARK.



The essential particular of this trade mark is the distinctive label. This is usually printed in blue and red on yellow, green, or white paper according as it is required for yellow, green, or white liqueurs; but applicant claims the right to use the same in any colour or combination of colours.

No. of application : 8392.
Date : 17th November, 1909.

TRADE MARK.



The essential particular of this trade mark is the distinctive label. This is usually printed in blue and red on yellow, green, or white paper according as it is required for yellow, green, or white liqueurs; but applicant claims the right to use the same in any colour or combination of colours.

NAME.

ALBERT LÉON REY, of Calle Fontrodona 17, Barcelona, and having a factory at Tarragona, in the Kingdom of Spain, Spanish Merchant.

No. of class : 43.
Description of goods : Liqueurs.

NAME.

ALBERT LÉON REY, of Calle Fontrodona 17, Barcelona, and having a factory at Tarragona, in the Kingdom of Spain, Spanish Merchant.

No. of class : 43.

Description of goods : Liqueurs.

No. of application : 8391.
Date : 17th November, 1909.

TRADE MARK.



The essential particular of this trade mark is the distinctive label. This is usually printed in blue and red on yellow, green, or white paper according as it is required for yellow, green, or white liqueurs; but applicant claims the right to use the same in any colour or combination of colours.

NAME.

ALBERT LÉON REY, of Calle Fontrodona 17, Barcelona, and having a factory at Tarragona, in the Kingdom of Spain, Spanish Merchant.

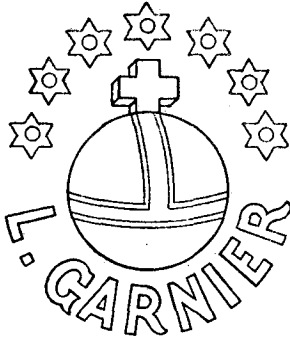
No. of class : 43.

Description of goods : Liqueurs.

No. of application : 8393.

Date : 17th November, 1909.

TRADE MARK.



NAME.

ALBERT LÉON REY, of Calle Fontrodona 17, Barcelona, and having a factory at Tarragona, in the Kingdom of Spain, Spanish Merchant.

No. of class : 43.

Description of goods : Liqueurs, specifics, elixirs, and hygienic products.

No. of application : 8394.

Date : 17th November, 1909.

TRADE MARK.



The essential particular of this trade mark is the distinctive label. This is usually printed in blue and red on yellow, green, or white paper according as it is required for yellow, green, or white liqueurs; but applicant claims the right to use the same in any colour or combination of colours.

NAME.

ALBERT LÉON REY, of Calle Fontrodona 17, Barcelona, and having a factory at Tarragona, in the Kingdom of Spain, Spanish Merchant.

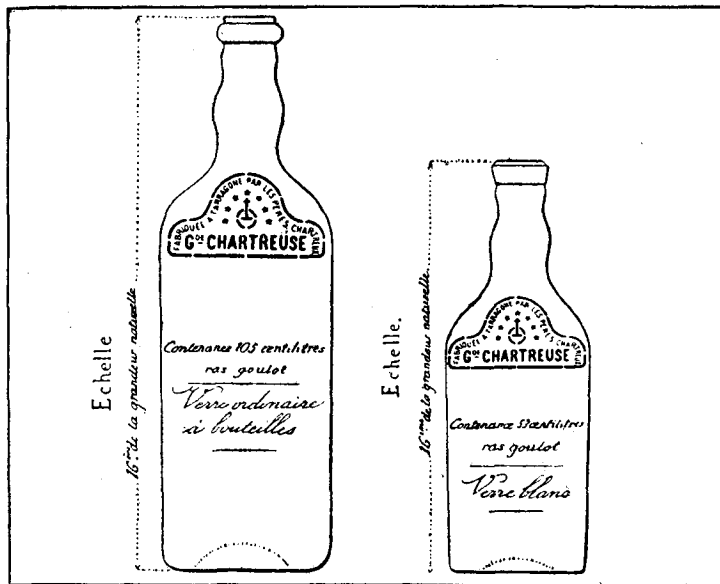
No. of class : 43.

Description of goods : Liqueurs.

No. of application : 8397.

Date : 17th November, 1909.

TRADE MARK.



The essential particular of this trade mark is the distinctive label.

NAME.

ALBERT LÉON REY, of Calle Fontrodona 17, Barcelona, and having a factory at Tarragona, in the Kingdom of Spain, Spanish Merchant.

No. of class : 43.

Description of goods : Liqueurs and hygienic products.

No. of application : 8398.
Date : 17th November, 1909.

TRADE MARK.



The essential particular of this trade mark is the distinctive label. This is usually printed in black and red on a white ground; but applicant claims the right to use the same in any colour or combination of colours.

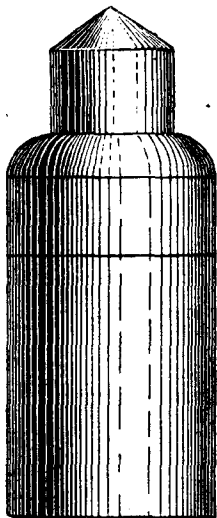
NAME.

ALBERT LEÓN REY, of Calle Fontrodona 17, Barcelona, and having a factory at Tarragona, in the Kingdom of Spain, Spanish Merchant.

No. of class : 43.
Description of goods : Elixirs and liqueurs.

No. of application : 8399.
Date : 17th November, 1909.

TRADE MARK.



NAME.

ALBERT LEÓN REY, of Calle Fontrodona 17, Barcelona, and having a factory at Tarragona, in the Kingdom of Spain, Spanish Merchant.

No. of class : 43.
Description of goods : Elixirs and liqueurs.

No. of application : 8400.
Date : 17th November, 1909.

TRADE MARK.



The essential particular of this trade mark is the distinctive label. This is usually printed in black and red, on a white ground; but applicant claims the right to use the same in any colour or combination of colours.

NAME.

ALBERT LEÓN REY, of Calle Fontrodona 17, Barcelona, and having a factory at Tarragona, in the Kingdom of Spain, Spanish Merchant.

No. of class : 43.
Description of goods : Hygienic products and liqueurs.

No. of application : 8401.
Date : 17th November, 1909.

TRADE MARK.

The words

ALFA BRAND.

The essential particular of this trade mark is the word "Alfa"; and any right to the exclusive use of the word "Brand" is disclaimed.

NAME.

HERMANN HÆGE, of Pitt and Bond Streets, Sydney, New South Wales, in the Commonwealth of Australia.

No. of class : 24.
Description of goods : Seamless cheese-bandages.

No. of application : 8402.
Date : 17th November, 1909.

TRADE MARK.

The words

SAILOR BRAND.

The essential particular of this trade mark is the word "Sailor"; and any right to the exclusive use of the word "Brand" is disclaimed.

NAME.

HERMANN HÆGE, of Pitt and Bond Streets, Sydney, New South Wales, in the Commonwealth of Australia.

No. of class : 24.
Description of goods : Seamless cheese-bandages.

No. of application : 8404.
Date : 19th November, 1909.

TRADE MARK.
The words
DARTON GARDEN.

NAME.
CASELBERG AND Co., of Wellington, in the Dominion of New Zealand, Merchants.

No. of class : 42.
Description of goods : Tea.

No. of application : 8405.
Date : 19th November, 1909.

TRADE MARK.
The word
SIAOSI.

NAME.
DAVID MORRISON, of Gisborne, in the Dominion of New Zealand, Surgeon.

No. of class : 39.
Description of goods : All kinds of playing-cards and the like.

No. of application : 8408.
Date : 22nd November, 1909.

TRADE MARK.
The word
CORONET.

NAME.
FLETCHER, HUMPHREYS, AND Co., of Cathedral Square, Christchurch, in the Dominion of New Zealand.

No. of class : 42.
Description of goods : Cocoa.

No. of application : 8409.
Date : 22nd November, 1909.

TRADE MARK.
The word
CORONET.

NAME.
FLETCHER, HUMPHREYS, AND Co., of Cathedral Square, Christchurch, in the Dominion of New Zealand.

No. of class : 43.
Description of goods : Wines and spirits.

No. of application : 8410.
Date : 23rd November, 1909.

TRADE MARK.
The word
VINELLO.

NAME.
J. S. FRY AND SONS, LIMITED, of 25 Union Street, Bristol, England, Cocoa and Chocolate Manufacturers.

No. of class : 42.
Description of goods : Chocolate, cocoa, and confectionery.

No. of application : 8411.
Date : 23rd November, 1909.

TRADE MARK.
The word
POM.

NAME.
W. AND F. WALKER, LIMITED, of Colonial House, 20 Water Street, Liverpool, in the County of Lancaster, England, Manufacturers.

No. of class : 48.
Description of goods : All goods included in this class.

[NOTE.—Class 48 is for "Perfumery (including toilet articles, preparations for the teeth and hair, and perfumed soap)."]

No. of application : 8413.
Date : 23rd November, 1909.

TRADE MARK.
The word
THULE.

NAME.
J. BARTRAM AND SON, of Nos. 19, 21, and 23, King Street, Melbourne, in the State of Victoria, Commonwealth of Australia, Manufacturers and Importers of Dairy Apparatus and Supplies, &c.

No. of class : 7.
Description of goods : Milking-machines and parts of such machines.

J. C. LEWIS,
Registrar.

Application for Trade Mark opposed.

NOTICE of opposition has been filed in the following case :—
No. 8092.—Cowie and Co. (Opposed by Read Brothers, Limited.)

Applications for Trade Marks abandoned or refused.

LIST of applications for registration of Trade Marks abandoned or refused from the 16th October to the 26th November, 1909, inclusive:—

- No. 7318.—12th May, 1908.—J. Farrow, Holbeach, Eng. Class 42.
 No. 7331.—20th May, 1908.—J. Pickering and Sons, Limited, Sheffield, Eng. Class 50.
 No. 7396.—17th June, 1908.—H. B. Simms, Hamburg, Ger. Class 9.
 No. 7500.—11th August, 1908.—H. Schlaikier and R. Robson, Gore, N.Z. Class 48.
 No. 7559.—11th September, 1908.—H. W. Trotman, Wellington, N.Z. Class 42.
 No. 7575.—22nd September, 1908.—Rose Perfumery Company, Wellington, N.Z. Class 48.
 Nos. 7589, 7592.—29th September, 1908.—Collett and Co., New Plymouth, N.Z. Class 42.
 No. 7593.—30th September, 1908.—The Rosine Chemical Company, Wellington, N.Z. Class 42.

Request for Amendment of Trade Mark Application.

NO. 8025.—Vi-ro Medicine Company. (Advertised in Supplement to *New Zealand Gazette*, No. 51, of the 17th June, 1909.)

To alter the statement of goods from "medicines" to "pills and ointments."

Trade Marks registered.

LIST of Trade Marks registered from the 13th to the 26th November, 1909, inclusive:—

- No. 6502/8074.—H. S. Chambers. Class 38. (*Gazette* No. 75, of the 9th September, 1909.)
 No. 6503/8216.—Ellis and Manton. Class 42. (*Gazette* No. 75, of the 9th September, 1909.)
 No. 6504/8110.—The Diamond Cycle Components and Engineering Company, Limited. Class 22. (*Gazette* No. 75, of the 9th September, 1909.)
 No. 6505/8188.—T. Crockett. Class 42. (*Gazette* No. 75, of the 9th September, 1909.)
 No. 6506/8226.—The Maitland Brewing Company, Limited. Class 15. (*Gazette* No. 75, of the 9th September, 1909.)
 No. 6507/8115.—Nobel's Explosives Company, Limited. Class 20. (*Gazette* No. 75, of the 9th September, 1909.)
 No. 6508/8192.—Reckitt's (Over Sea), Limited. Class 50. (*Gazette* No. 75, of the 9th September, 1909.)
 No. 6509/8153.—The Great Northern Brewery, Limited. Class 43. (*Gazette* No. 78, of the 23rd September, 1909.)

Subsequent Proprietors of Trade Marks registered.

[NOTE.—The name of the former proprietor is given in brackets; the date is that of registration.]

- NO. 1391/1118.—James Inglis and Company, Limited, of 60 and 62 York Street, Sydney, New South Wales, Australia, Merchants. (A. S. Brodie.) 12th November, 1909.
 No. 6003/4727.—Standard Oilcloth Company, incorporated under the laws of the State of New Jersey, United States of America, located in Jersey City in the said State, and having an office at No. 320, Broadway, in the City of New York, State of New York, United States of America. (Standard Table Oilcloth Company.) 15th November, 1909.
 No. 7410/5849.—Wilfrid Stuart Godfrey and Eric John Tayler, both of Christchurch, New Zealand, Estate Agents. (W. H. D. Newth.) 12th November, 1909.

Trade Mark Renewal Fees paid.

FEES paid for the renewal of the undermentioned Trade Marks for fourteen years from the date first mentioned:—

- No. 1564/1256.—13th November, 1909.—W. and J. Staples and Co., Wellington, N.Z. 12th November, 1909.
 No. 1595/1280.—19th December, 1909.—J. Inglis and Co., Sydney, N.S.W. 16th November, 1909.
 No. 1605/1300.—6th January, 1910.—The Morgan Crucible Company, Limited, London, Eng. 12th November, 1909.
 No. 1628/1323.—3rd February, 1910.—British Empire Trading Company, Limited, of Wellington, N.Z. 25th November, 1909.
 No. 1645/1316.—13th February, 1910.—W. Strange and Co., Christchurch, N.Z. —22nd November, 1909.
 No. 1651/1339.—2nd March, 1910.—H. Berry and Co., Christchurch, N.Z. 24th November, 1909.
 No. 1820/1445.—5th October, 1910.—Cerebos (1903) Limited, Newcastle-on-Tyne, Eng. 16th November, 1909.

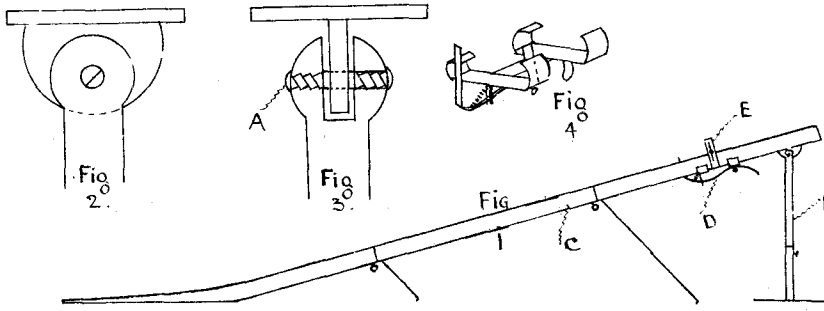
Trade Marks removed from the Register.

TRADE Marks removed from the Register owing to the non-payment of the renewal fee, from the 13th to the 26th November 1909, inclusive:—

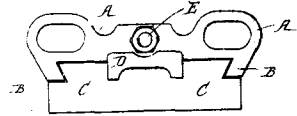
- No. 1489/1199.—19th August, 1895.—D. Strang, Invercargill, N.Z. Class 42.
 No. 1496/1207.—26th August, 1895.—G. B. Upton, Sydney, N.S.W. Class 47.
 No. 1500/1190.—4th May, 1895.—A. Briscoe and Co., Dunedin, N.Z. Class 42.

ILLUSTRATIONS OF INVENTIONS.

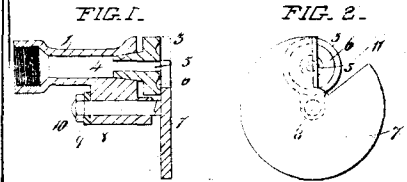
[These illustrations refer to the complete specifications accepted, and advertised in this Gazette.]



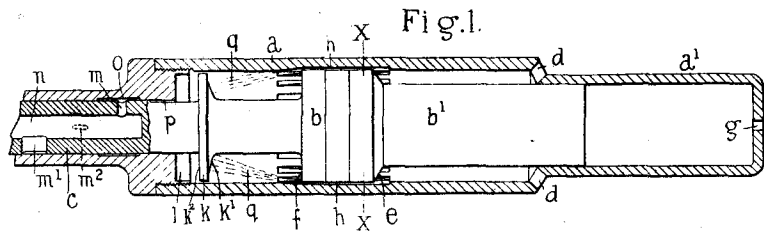
Bowl-tester. Freeman and Warren. 25519.



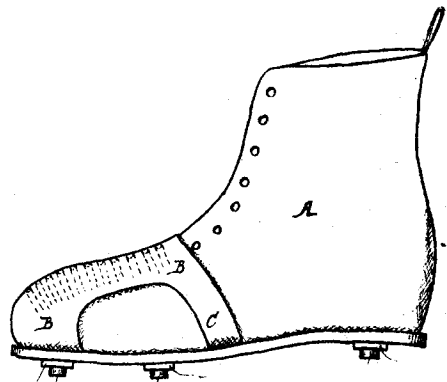
Tram-brake. Brown. 25608.



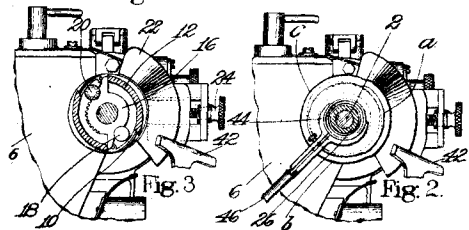
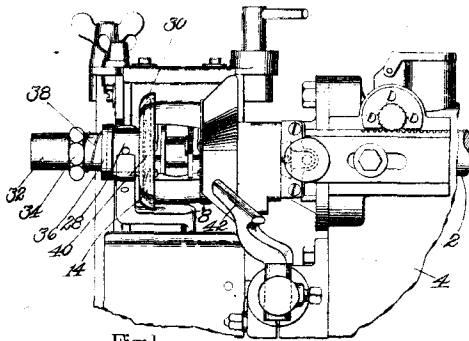
Spray-nozzle. Milburn. 26927.



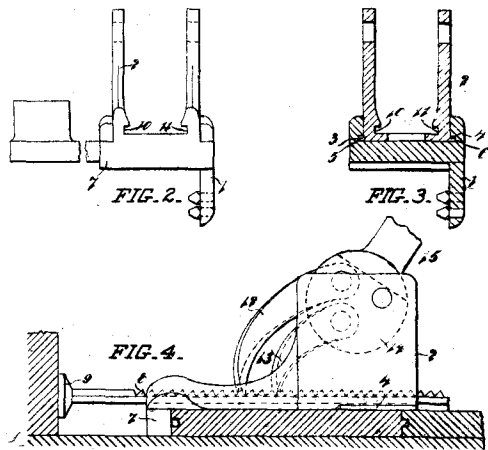
Engine, Valveless. Konomax Rock Drill Syndicate (Limited). (Mauss.) 25576.



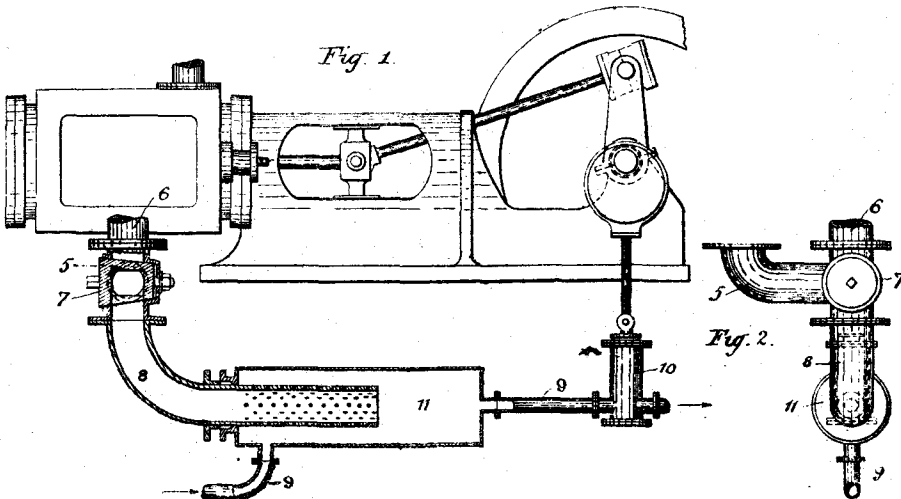
Boot, Football. A. Tyree and Co. (Limited). (Main and Tyree.) 25708.



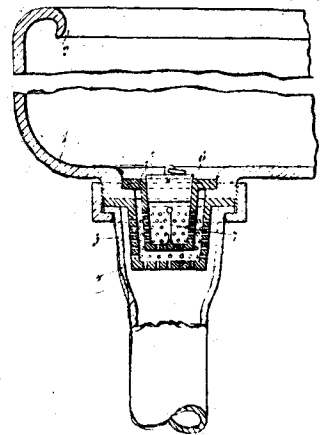
Boot-machine. United Shoe Machinery Company. (Busell.) 26121.



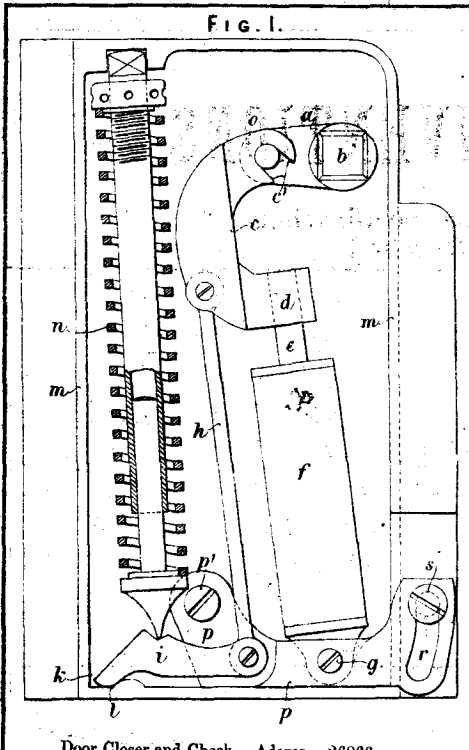
Flooring-cramp. Scott. 25552.



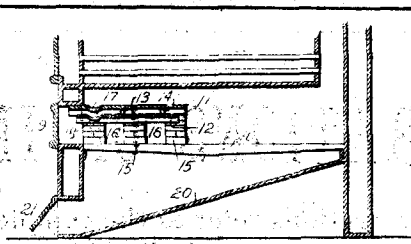
Boiler-feed Pump. Edwards and Bowden. 26318.



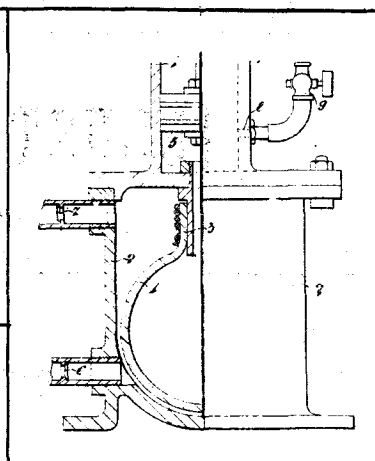
Sink-trap. Wilson. 26917.



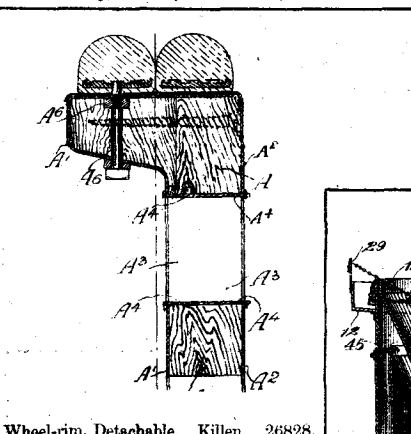
Door Closer and Check. Adams. 26866.



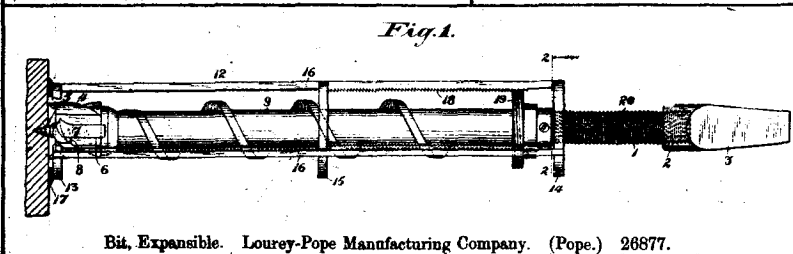
Smoke-consumer and Fuel-economizer. Hoy, Downes, and Grierson. 26841.



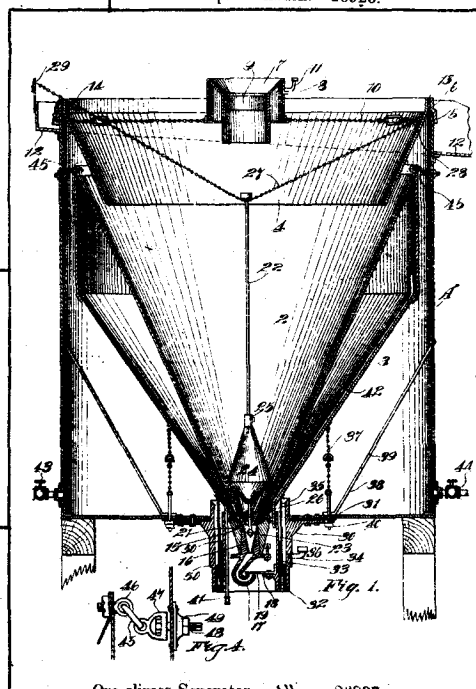
Pump. Milburn. 26926.



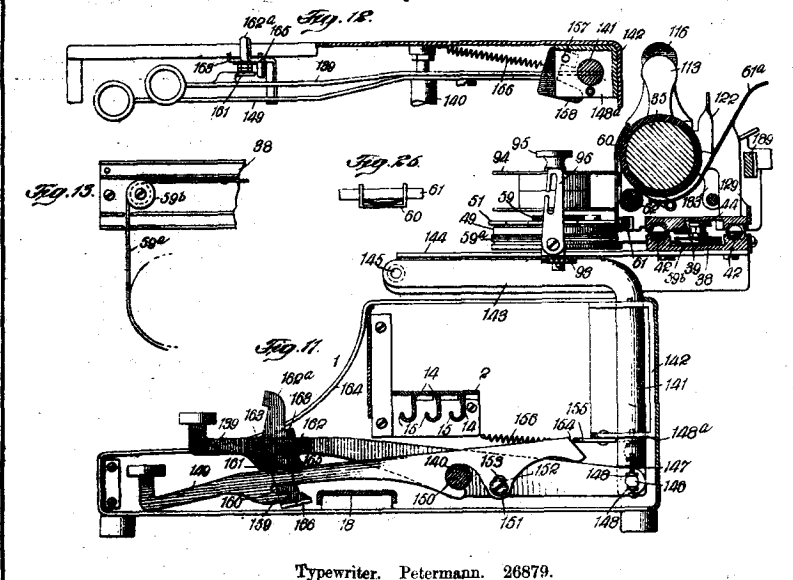
Wheel-rim, Detachable. Killen. 26828.



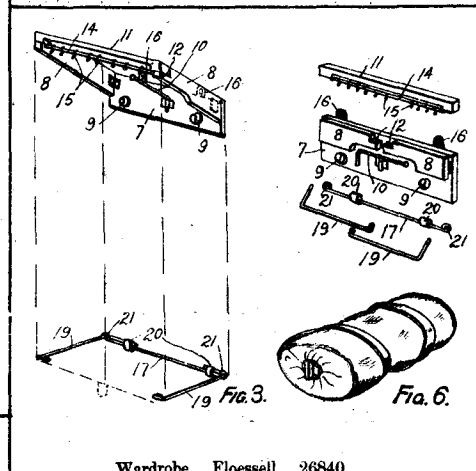
Bit, Expansive. Lourey-Pope Manufacturing Company. (Pope.) 26877.



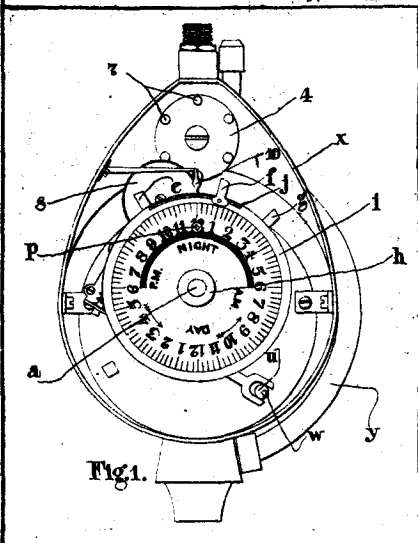
Ore-slimes Separator. Allen. 26897.



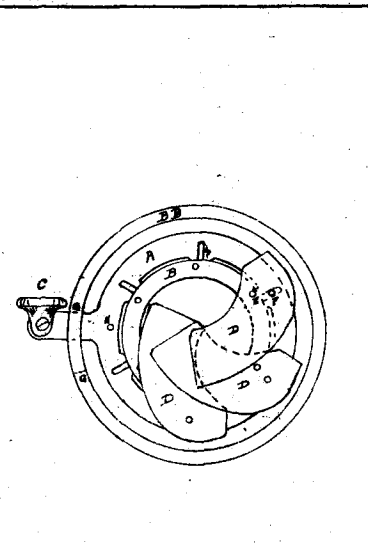
Typewriter. Petermann. 26879.



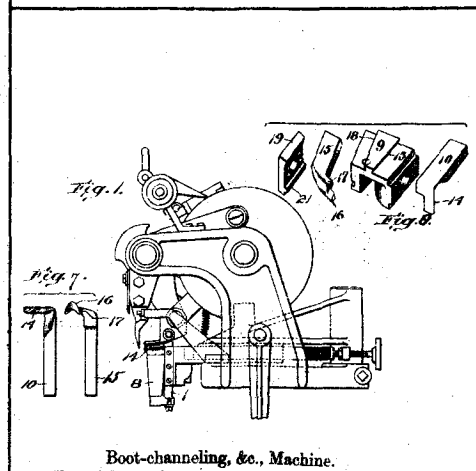
Wardrobe. Floessel. 26840.



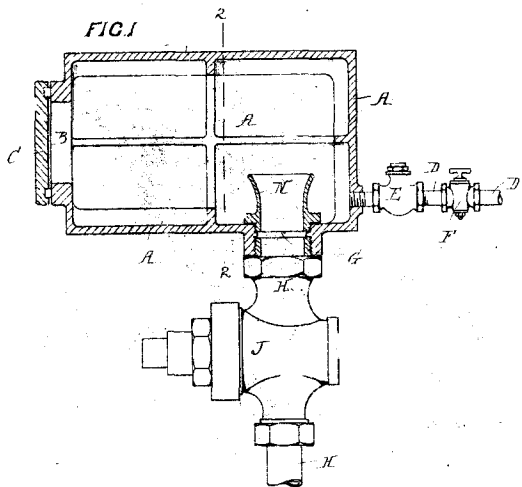
Lighting-system. Anderson. 26847.



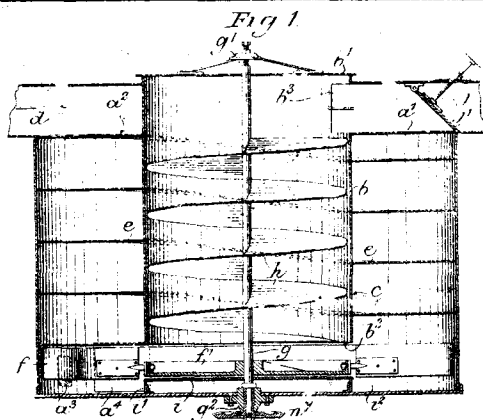
Signal-lamp Shutter. Ross. 26925.



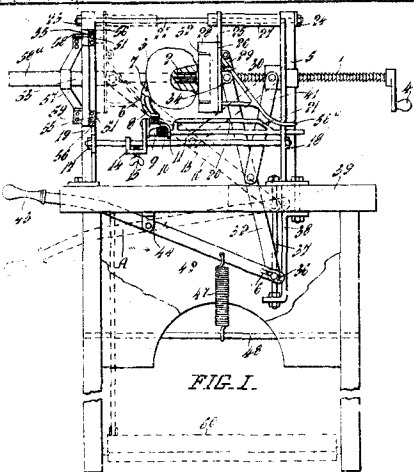
Boot-channeling, &c. Machine. United Shoe Machinery Company. (Bayard.) 26876.



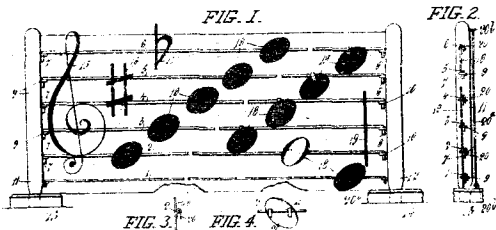
Water-closet Cistern. Smith and Maclean. 26095.



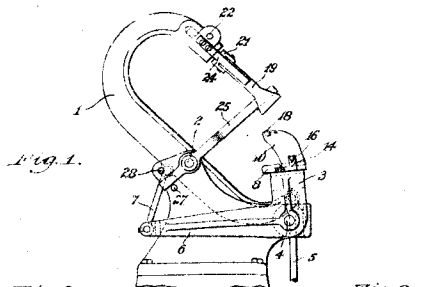
Ore-concentrator. Cox. (Whitcombe.) 26796.



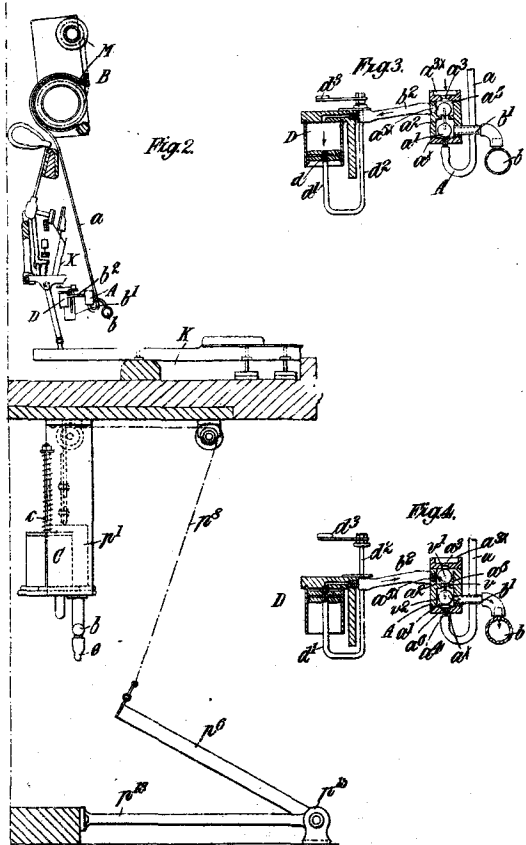
Apple-parer. A. Lyell. 26852.



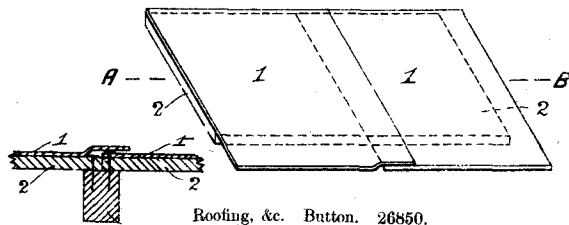
Music-teacher. Shea. 26456.



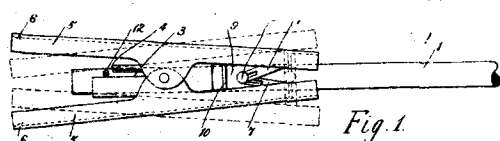
Boot-machine. United Shoe Machinery Company. (Mayo.) 26798.



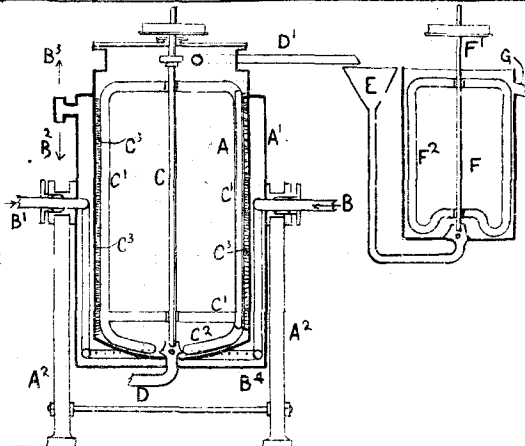
Musical-instrument Player. Coldman and Webb. 26853.



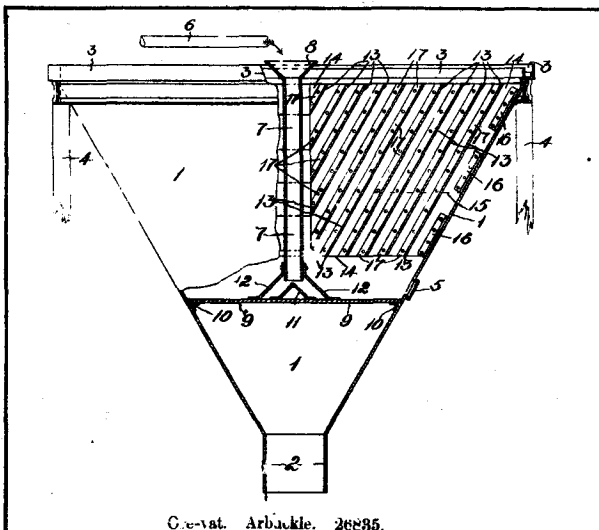
Roofing, &c. Button. 26850.



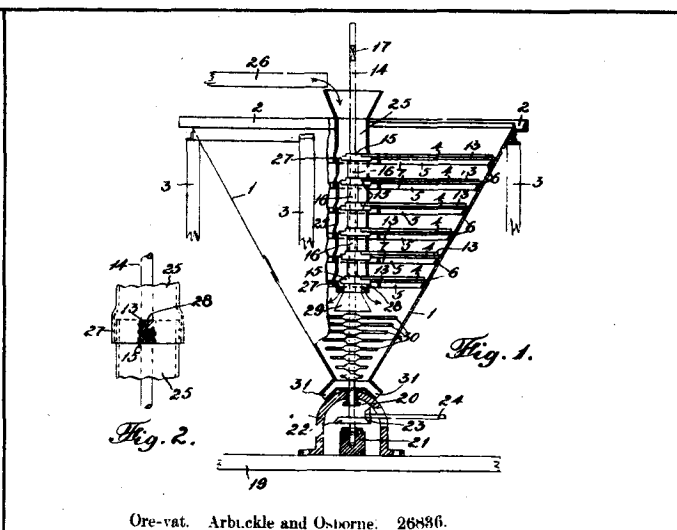
Drill-hole Core Extractor. Desmarais and O'Brien. 26887.



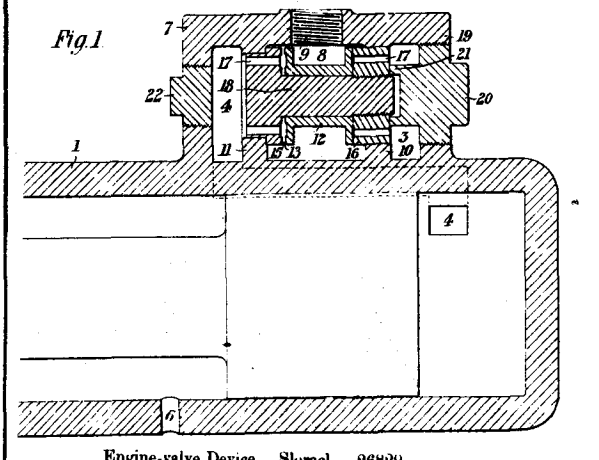
Milk-pasteuriser. Hunter. 26909.



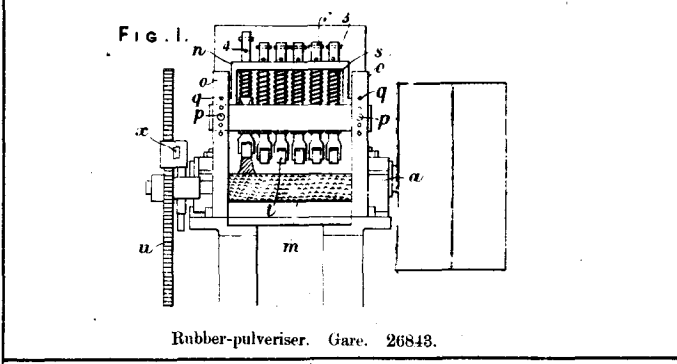
C.-vat. Arbakle. 26885.



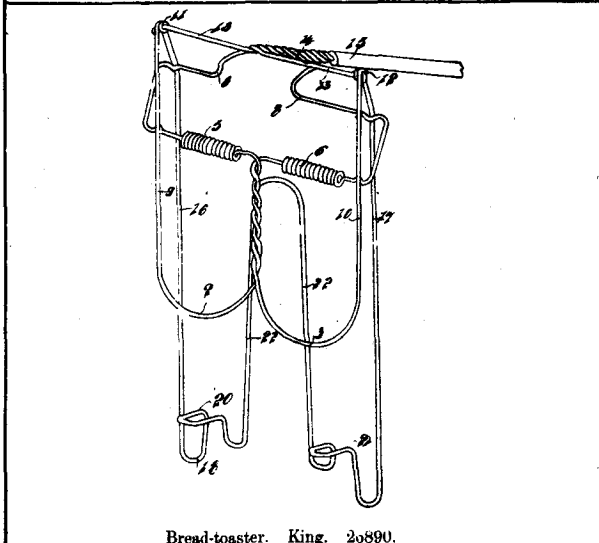
Ore-vat. Arbakle and Osborne. 26886.



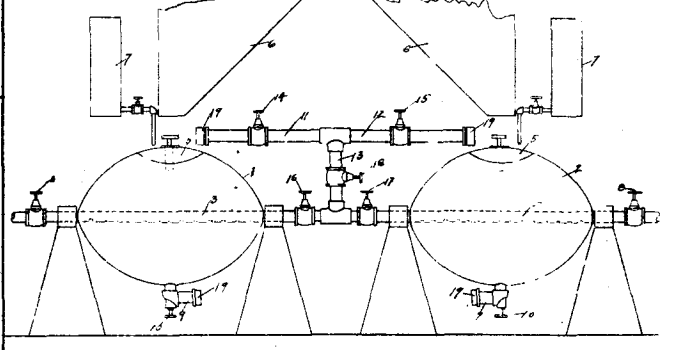
Engine-valve Device. Sloracl. 26829.



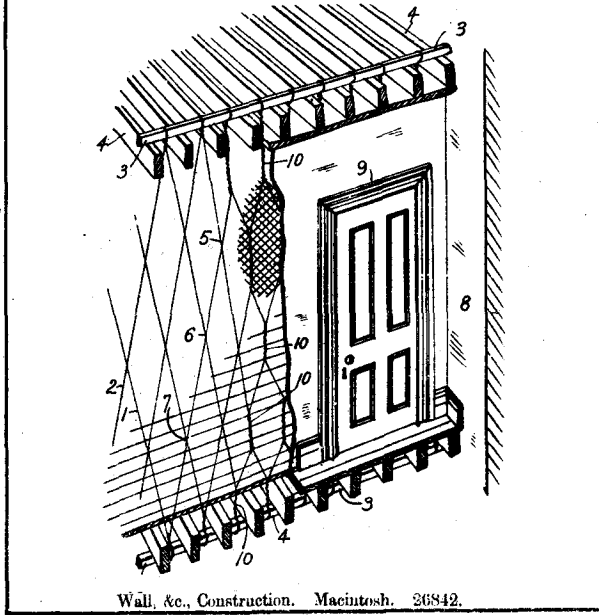
Rubber-pulveriser. Gare. 26843.



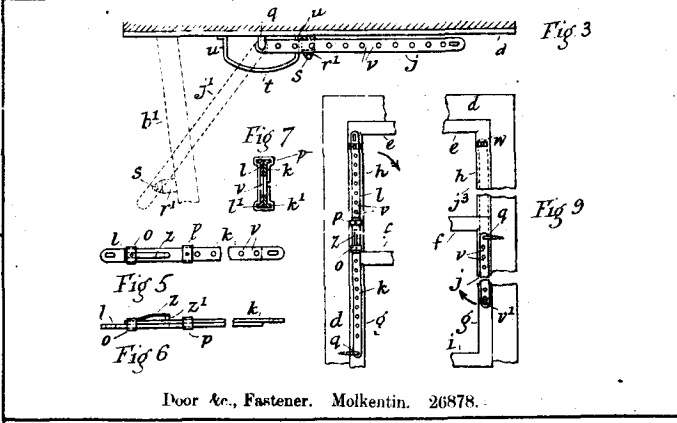
Bread-toaster. King. 26890.



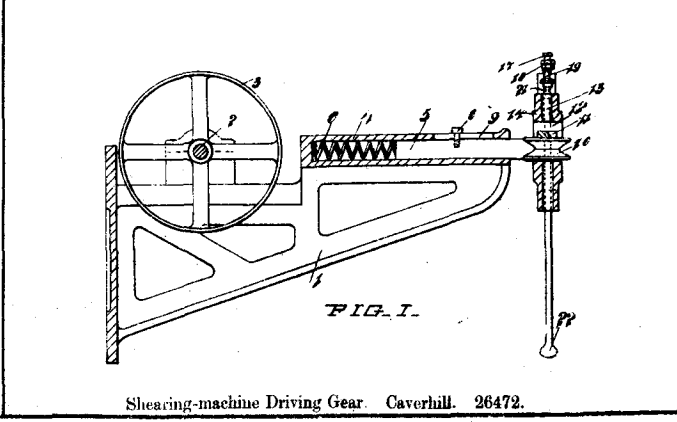
Sugar-manufacture. Ewen and Tomlinson. 26882.



Wall, &c., Construction. Macintosh. 26842.



Door &c., Fastener. Molkentin. 26878.



Shearing-machine Driving Gear. Coverhill. 26472.